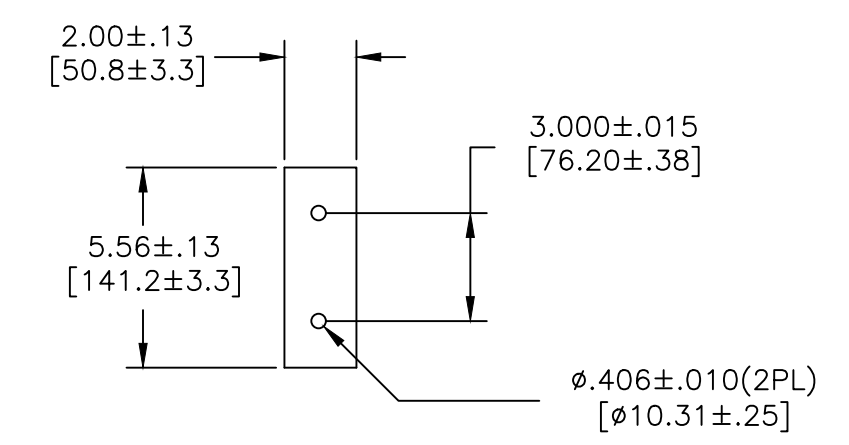
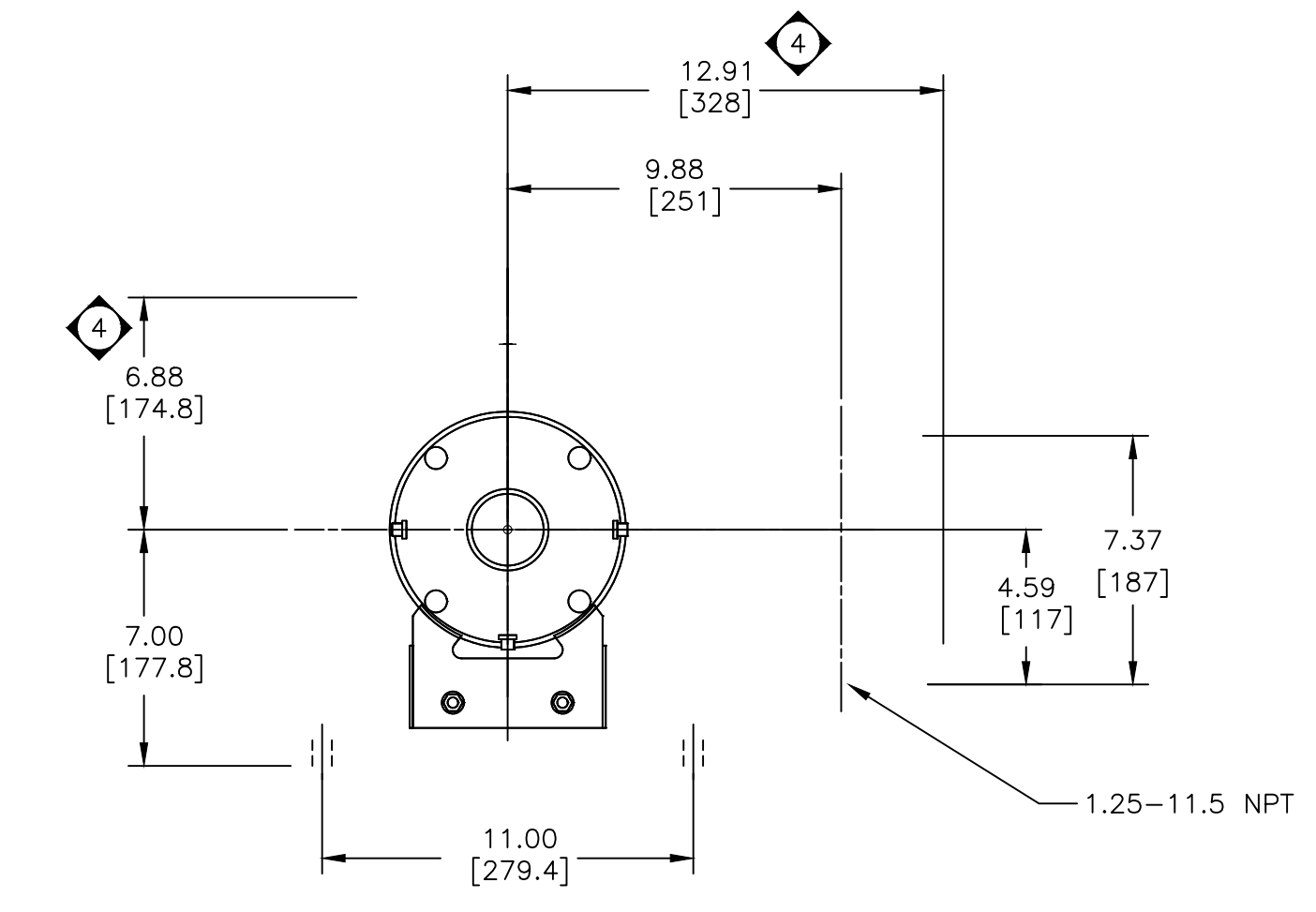
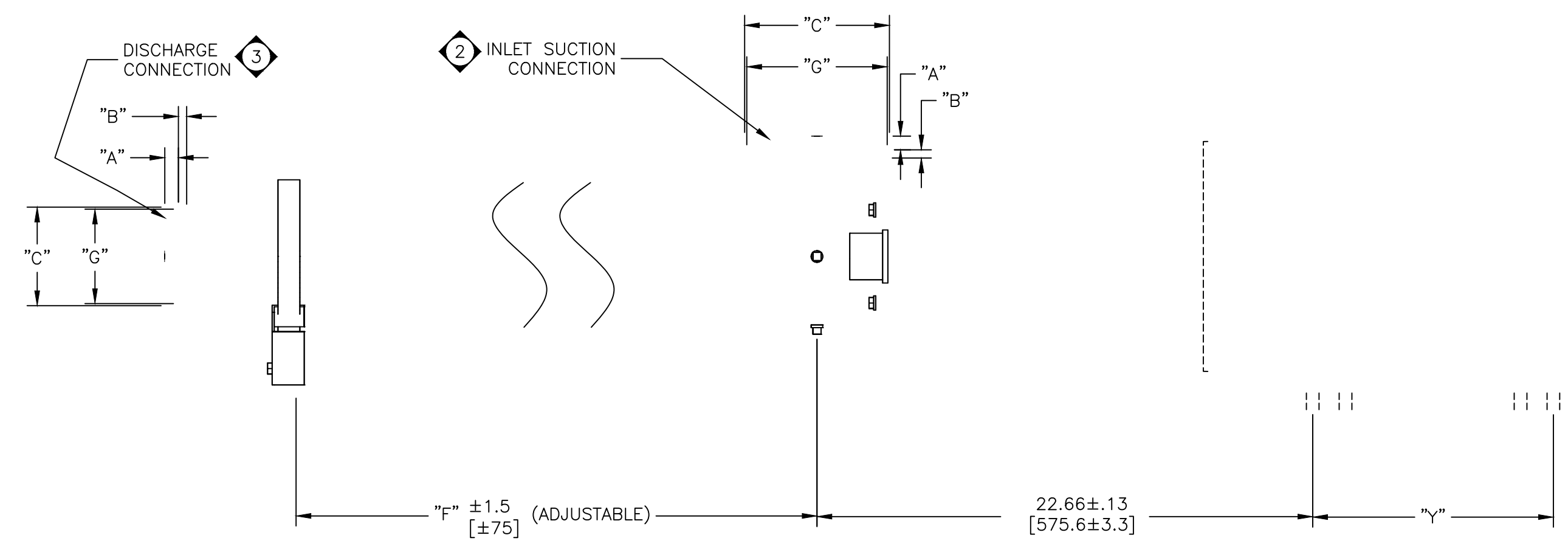
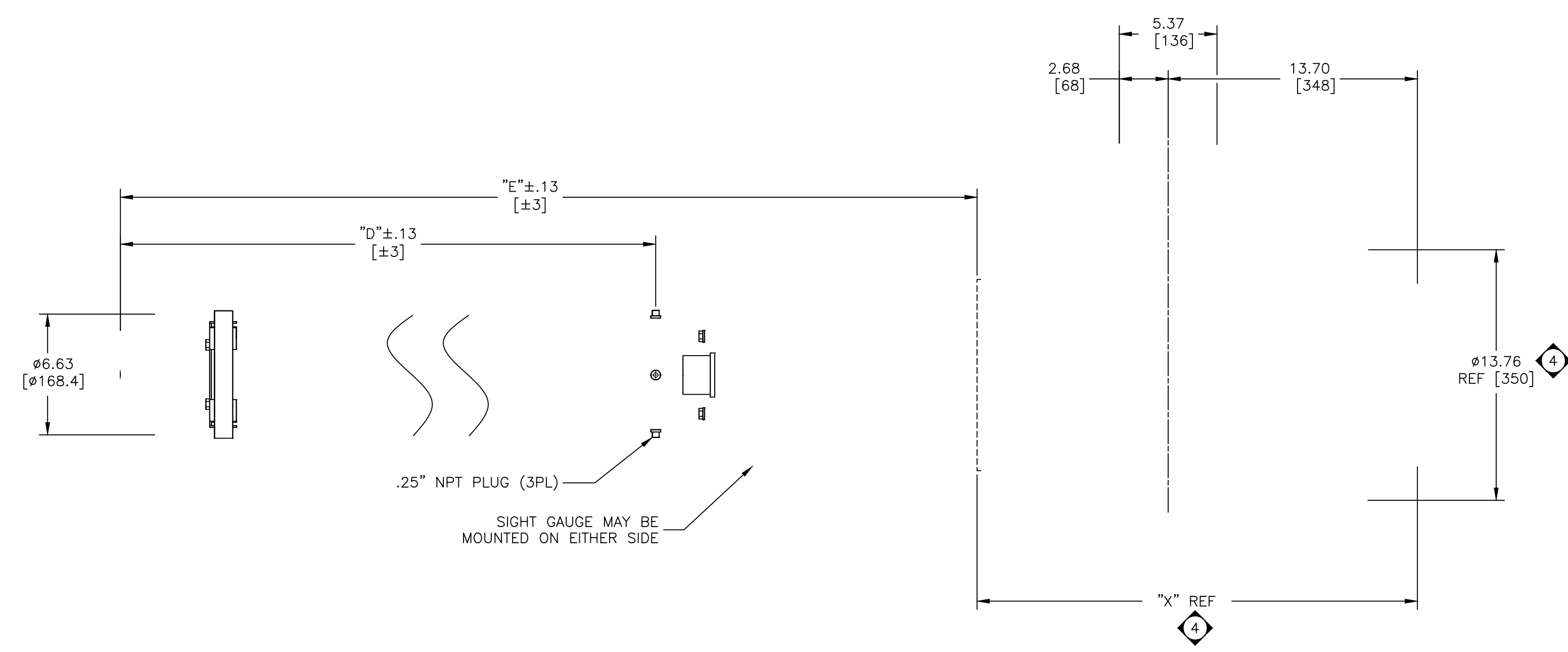


NOTES:

1. DIMENSIONS ARE IN INCHES [MILLIMETERS].
2. 406XX PUMP MODELS MATE WITH 6-INCH VICTAULIC TYPE CLAMPED UNION.
404XX PUMP MODELS MATE WITH 4-INCH VICTAULIC TYPE CLAMPED UNION.
6-INCH SIZE INLET IS SHOWN. INLET MAY BE ROTATED IN 90° INCREMENTS. SEE TABLES FOR VICTAULIC DIMENSIONS.
3. PUMP DISCHARGE CONNECTIONS MATE WITH 4-INCH VICTAULIC TYPE CLAMPED UNION
4. TEFC GENERAL ELECTRIC 286TSC MOTOR SHOWN. MOTOR DIMENSIONS WILL VARY WITH MANUFACTURER AND ARE SHOWN FOR REFERENCE ONLY.
5. PUMP AND MOTOR ADAPTER WILL ACCEPT NEMA 284/286TSC FRAMES 3600 RPM ELECTRIC MOTOR AND A WOODS OR DODGE FLEXIBLE COUPLING WITH THE END OF THE PUMP DRIVE SHAFT. THE 284/286TSC FRAME MOTORS MUST HAVE A BASE AND BE RIGIDLY MOUNTED. MOUNTING OF BEARING FRAME BASE IN A STRAIN-FREE MANNER IS OPTIONAL WITH 284/286TSC FRAME MOTORS.
6. SEE PUMP INSTRUCTIONS P/N 1123175 FOR ADDITIONAL INFORMATION ON INSTALLATION, STARTUP, AND MAINTENANCE.
7. FOR REPRINTS OF THIS DRAWING, ORDER MATERIAL NO. 1225751.



MOTOR SIZE	"X"		"Y"	
	INCHES	[MM]	INCHES	[MM]
284TSC	24.20	615	9.50	241
286TSC	24.20	615	11.00	279

VICTAULIC® DIMENSIONS STANDARD 4" DISCHARGE CONNECTIONS			VICTAULIC® DIMENSIONS STANDARD 6" INLET CONNECTION		
ITEM	INCHES	MILLIMETERS	ITEM	INCHES	MILLIMETERS
"A"	.625±.031	15.88±.78	"A"	.625±.031	15.88±.78
"B"	.375±.031	9.53±.78	"B"	.375±.031	9.53±.78
"C"	4.500 ^{+.045} _{-.031}	114.30 ^{+.114} _{-.78}	"C"	6.625 ^{+.063} _{-.031}	168.28 ^{+.160} _{-.78}
"G"	4.334 ^{+.000} _{-.020}	110.08 ^{+.00} _{-.51}	"G"	6.455 ^{+.000} _{-.022}	163.96 ^{+.00} _{-.56}

MODELS		"D"		"E"		"F"	
60HZ	50HZ	INCHES	[MM]	INCHES	[MM]	INCHES	[MM]
AS40403KZC/AS40603KZC		26.22	666	43.88	1115	20.22	514
	AS40404KZC/AS40604KZC	31.27	794	49.69	1262	25.27	642
	AS40405KZC/AS40605KZC	36.31	922	54.73	1390	30.31	770

REV	DESCRIPTION	ECO	DWN	APPR	APPR	DATE
C	VEOLIA REBRANDING					09 Jan 23
B1	SUEZ REBRANDING					
A	INITIAL RELEASE					

TOLERANCES UNLESS NOTED	
DECIMALS	ANGLES
.X +/- .1	+/- 2°
.XX +/- .03	FRAC
.XXX +/- .010	N/A



CUSTOMER INFORMATION
 DWG,TF,OUTLINE,AS40000KZC
 284/286TSC NEMA MOTOR

DRAWING NUMBER		REVISION	
1202829		C	
REF.: -	DOC. OWNER: -	PROJECT NO.	PART/MATERIAL NO.
		1225751	1225751
SCALE	SIZE	SHEET	
3:16	D	1 OF 1	