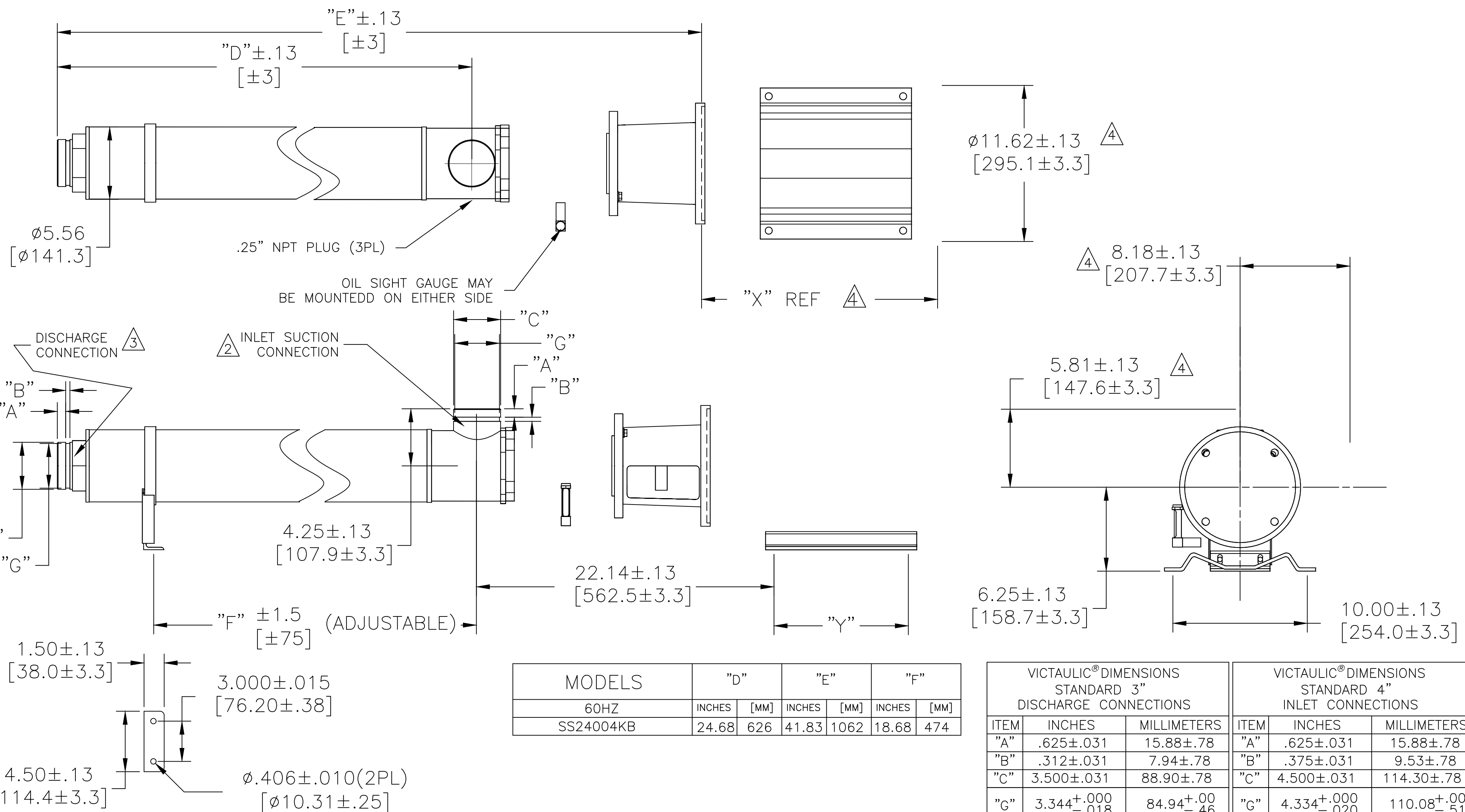


4

3

2

1



MODELS	"D"		"E"		"F"	
	INCHES	[MM]	INCHES	[MM]	INCHES	[MM]
60HZ	24.68	626	41.83	1062	18.68	474
SS24004KB						

VICTAULIC® DIMENSIONS STANDARD 3" DISCHARGE CONNECTIONS			VICTAULIC® DIMENSIONS STANDARD 4" INLET CONNECTIONS		
ITEM	INCHES	MILLIMETERS	ITEM	INCHES	MILLIMETERS
"A"	.625±.031	15.88±.78	"A"	.625±.031	15.88±.78
"B"	.312±.031	7.94±.78	"B"	.375±.031	9.53±.78
"C"	3.500±.031	88.90±.78	"C"	4.500±.031	114.30±.78
"G"	3.344 ^{+.000} _{-.018}	84.94 ^{+.00} _{-.46}	"G"	4.334 ^{+.000} _{-.020}	110.08 ^{+.00} _{-.51}

MOTOR SIZE	"X"		"Y"	
	INCHES	[MM]	INCHES	[MM]
256TC	22.06	560	10.00	254

- NOTES:
- DIMENSIONS ARE IN INCHES [MILLIMETERS].
 - PUMP INLET CONNECTIONS MATE WITH 4-INCH VICTAULIC TYPE CLAMPED UNIONS
PUMP INLET MAY BE ROTATED IN 90° INCREMENTS.
 - PUMP DISCHARGE CONNECTIONS MATE WITH 3-INCH VICTAULIC TYPE CLAMPED UNION
 - TEFC MARATHON 256TC MOTOR SHOWN, MOTOR DIMENSIONS WILL VARY WITH MANUFACTURER AND ARE SHOWN FOR REFERENCE ONLY.
 - PUMP AND MOTOR ADAPTER WILL ACCEPT NEMA 256TC FRAMES 3450 RPM ELECTRIC MOTOR AND A WOODS FLEXIBLE COUPLING WITH THE END OF THE PUMP DRIVE SHAFT. THE 256TC FRAME MOTORS MUST HAVE A BASE AND BE RIGIDLY MOUNTED. MOUNTING OF BEARING FRAME BASE IN A STRAIN-FREE MANNER IS OPTIONAL WITH 256TC FRAME MOTORS.
 - SEE PUMP INSTRUCTIONS P/N 1125317 FOR ADDITIONAL INFORMATION ON INSTALLATION, STARTUP, AND MAINTENANCE.
 - FOR REPRINTS OF THIS DRAWING, ORDER MATERIAL NO. 1202535 REV A.

C VEOLIA REBRANDING B SUEZ REBRANDING A INITIAL RELEASE REV DESCRIPTION		140586 HP NL NL 09 Jan 23 131562 TG SR MS 20 Sep 18 3334 RLH MAS MJT 17MAR99 ECO DWN APPR APPR DATE		TOLERANCES UNLESS NOTED DECIMALS ANGLES .X .1 2° .XX .03 FRAC .XXX .010		CUSTOMER INFORMATION DWG, TF, OUTLINE SS24000KB, 256TC NEMA MOTOR		DRAWING NUMBER 1200954 REF:- PROJECT NO. PART/MATERIAL NO. SCALE SIZE SHEET 3/16"=1" C 1 OF 1		REVISION C	
--	--	--	--	---	--	---	--	--	--	---------------	--

4

3

2

1

FILE LOCATION: C:\ADSK\VEOLIA\SYSTEMS\ITD\IMGRATED\REV\12000954.dwg