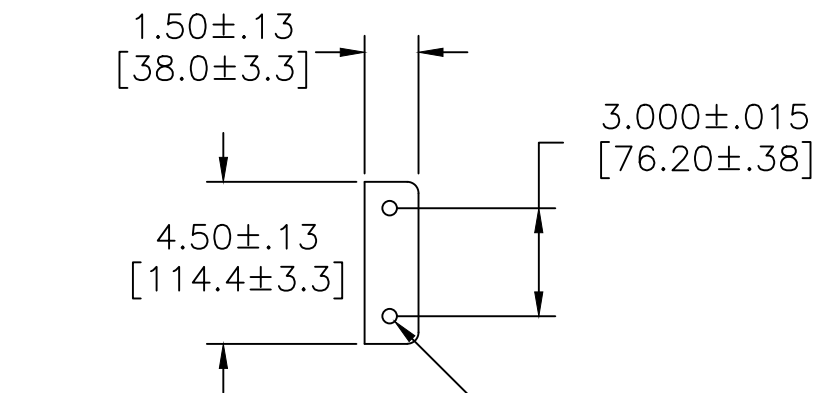
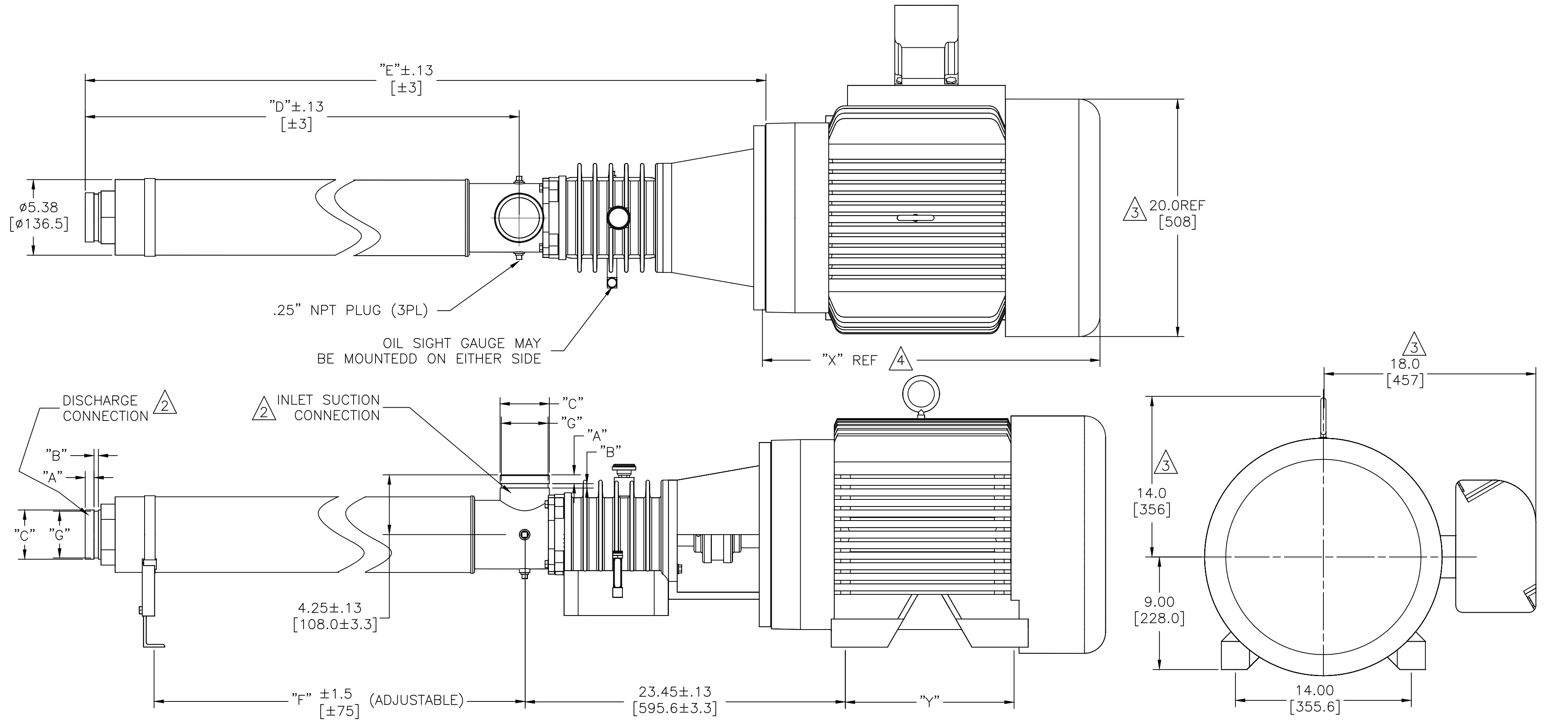


4

3

2

1



NOTES:  $\phi .406 \pm .010 (2PL)$   
[ $\phi 10.31 \pm .25$ ]

- DIMENSIONS ARE IN INCHES [MILLIMETERS].
- PUMP INLET AND DISCHARGE CONNECTIONS MATE WITH 3-INCH VICTAULIC TYPE CLAMPED UNIONS. PUMP INLET MAY BE ROTATED IN 90° INCREMENTS.
- TEFC MARATHON 364TC MOTOR SHOWN, MOTOR DIMENSIONS WILL VARY WITH MANUFACTURER AND ARE SHOWN FOR REFERENCE ONLY.
- PUMP AND MOTOR ADAPTER WILL ACCEPT NEMA 364/365TC FRAMES 3450 RPM ELECTRIC MOTOR AND A WOODS FLEXIBLE COUPLING WITH THE END OF THE PUMP DRIVE SHAFT. THE 364/365TC FRAME MOTORS MUST HAVE A BASE AND BE RIGIDLY MOUNTED. MOUNTING OF BEARING FRAME BASE IN A STRAIN-FREE MANNER IS OPTIONAL WITH 364/365TC FRAME MOTORS.
- SEE PUMP INSTRUCTIONS P/N 1125314 FOR ADDITIONAL INFORMATION ON INSTALLATION, STARTUP, AND MAINTENANCE.

MODELS		"D"		"E"		"F"	
60HZ	50HZ	INCHES	[MM]	INCHES	[MM]	INCHES	[MM]
SS12519KE		69.11	1755	86.40	2194	63.11	1602
SS12522KE		80.87	2054	98.16	2493	74.87	1901
	SS12527KE	96.10	2440	113.39	2880	90.10	2288
	SS12530KE	105.38	2676	122.67	3115	99.38	2524

VICTAULIC® DIMENSIONS STANDARD 3" CONNECTIONS		
ITEM	INCHES	MILLIMETERS
"A"	.625 ±.031	15.88 ±.78
"B"	.312 ±.031	7.94 ±.78
"C"	3.500 ±.031	88.90 ±.78
"G"	3.344 <sup>+.000</sup> <sub>-.018</sub>	84.94 <sup>+.00</sup> <sub>-.46</sub>

MOTOR SIZE	"X"		"Y"	
	INCHES	[MM]	INCHES	[MM]
364TSC	25.88	657	11.25	285
365TSC	26.88	682	12.25	311

REV	DESCRIPTION	ECO	DWN	APPR	DATE
D	VEOLIA REBRANDING	140586	HP	NL	09 Jan 23
C	SUEZ REBRANDING	131562	TG	SR	20 Sep 18
B	REDRAWN ON ACAD	3334	PFM	MJT	23 Jun 98
A	RELEASED PER ECO	1743	CBH	EMW	27 Jun 96

TOLERANCES UNLESS NOTED	
DECIMALS	ANGLES
.X .1	2°
.XX .03	FRAC
.XXX .010	



CUSTOMER INFORMATION

DWG, TF, OUTLINE  
SS12500KE, 364/365TSC NEMA MOTOR

DRAWING NUMBER		REVISION
1125288		D
PROJECT NO.	PART/MATERIAL NO.	SCALE
		3/16" = 1"
		SIZE
		C
		SHEET
		1 OF 1

4

3

2

1