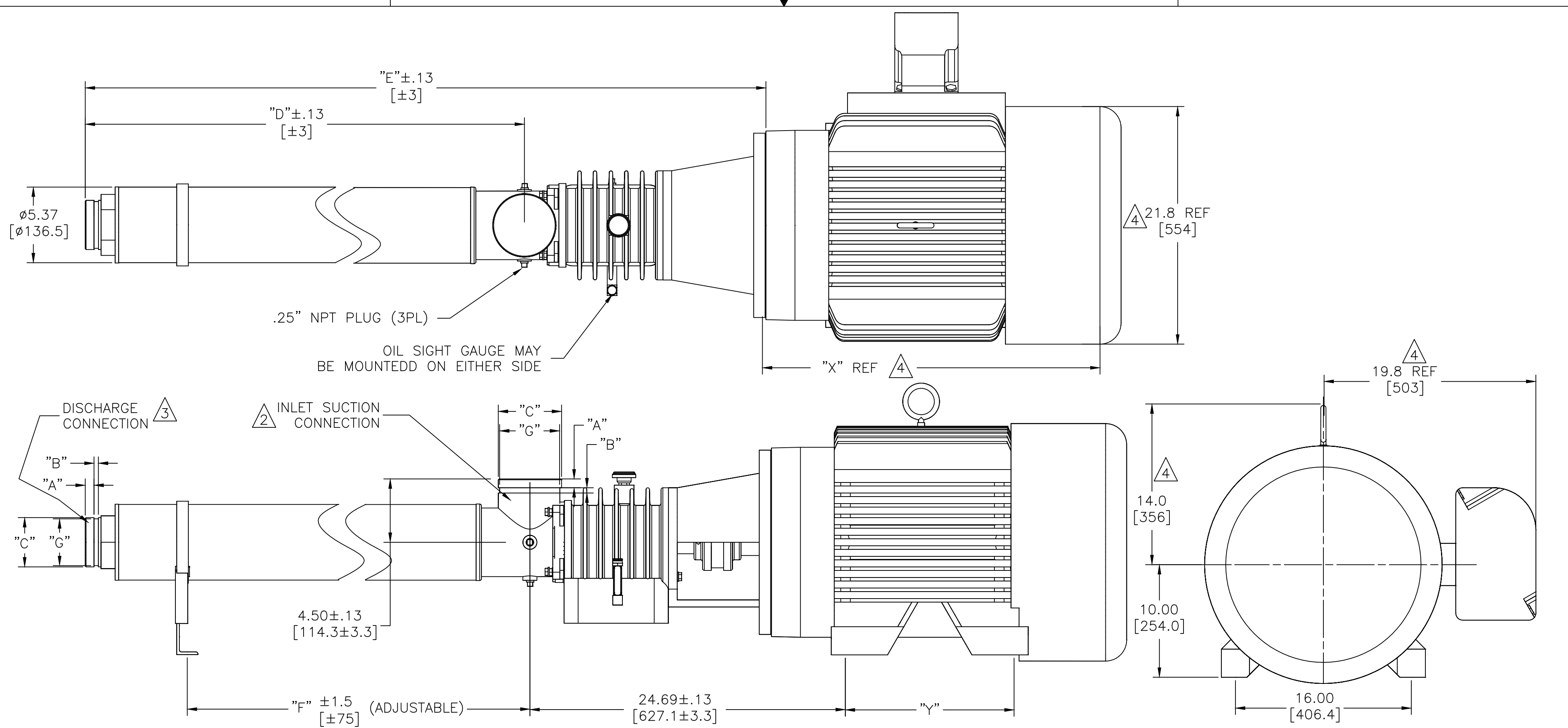


4

3

2

1



MODELS		"D"		"E"		"F"	
60HZ	50HZ	INCHES	[MM]	INCHES	[MM]	INCHES	[MM]
SS24016KF		79.34	2015	97.13	2467	73.34	1862
	SS24018KF	87.94	2233	105.73	2686	81.94	2081

VICTAULIC® DIMENSIONS STANDARD 3" DISCHARGE CONNECTIONS		
ITEM	INCHES	MILLIMETERS
"A"	.625±.031	15.88±.78
"B"	.312±.031	7.94±.78
"C"	3.500±.031	88.90±.78
"G"	3.344 ^{+.000} _{-.018}	84.94 ^{+.00} _{-.46}

VICTAULIC® DIMENSIONS STANDARD 4" INLET CONNECTIONS		
ITEM	INCHES	MILLIMETERS
"A"	.625±.031	15.88±.78
"B"	.375±.031	9.53±.78
"C"	4.500±.031	114.30±.78
"G"	4.334 ^{+.000} _{-.020}	110.08 ^{+.00} _{-.51}

MOTOR SIZE	"X"		"Y"	
	INCHES	[MM]	INCHES	[MM]
404TSC	28.62	726	12.25	311
405TSC	30.12	765	13.75	349

- NOTES:
- DIMENSIONS ARE IN INCHES [MILLIMETERS].
 - PUMP INLET CONNECTION MATE WITH 4-INCH VICTAULIC TYPE CLAMPED UNIONS
PUMP INLET MAY BE ROTATED IN 90° INCREMENTS.
 - PUMP DISCHARGE CONNECTIONS MATE WITH 3-INCH VICTAULIC TYPE CLAMPED UNION
 - TEFC MARATHON 404TSC MOTOR SHOWN, MOTOR DIMENSIONS WILL VARY WITH MANUFACTURER AND ARE SHOWN FOR REFERENCE ONLY.
 - PUMP AND MOTOR ADAPTER WILL ACCEPT NEMA 404/405TSC FRAMES 3450 RPM ELECTRIC MOTOR AND A WOODS FLEXIBLE COUPLING WITH THE END OF THE PUMP DRIVE SHAFT.
THE 404/405TSC FRAME MOTORS MUST HAVE A BASE AND BE RIGIDLY MOUNTED. MOUNTING OF BEARING FRAME BASE IN A STRAIN-FREE MANNER IS OPTIONAL WITH 404/405TSC FRAME MOTORS.
 - SEE PUMP INSTRUCTIONS P/N 1125314 FOR ADDITIONAL INFORMATION ON INSTALLATION, STARTUP, AND MAINTENANCE.

D	VEOLIA REBRANDING	140586	HP	NL	NL	09 Jan 23	TOLERANCES UNLESS NOTED
C	SUEZ REBRANDING	131562	TG	SR	MS	20 Sep 18	DECIMALS ANGLES
B	REDRAWN ON ACAD	3334	PFM	MJT	-	23 Jun 98	.X .1 2" FRAC
A	RELEASED PER ECO	2803	ARD	EMW	-	19 May 97	.XX .03 .XXX .010
REV	DESCRIPTION	ECO	DWN	APPR	APPR	DATE	

VEOLIA

CUSTOMER INFORMATION

DWG, TF, OUTLINE SS/SB500/
SS24000KF, 404/405TSC NEMA MOTOR

DRAWING NUMBER		REVISION
1125140		D
PROJECT NO.	PART/MATERIAL NO.	DOC. OWNER:-
		3/16" = 1" C 1 OF 1

4

3

2

1