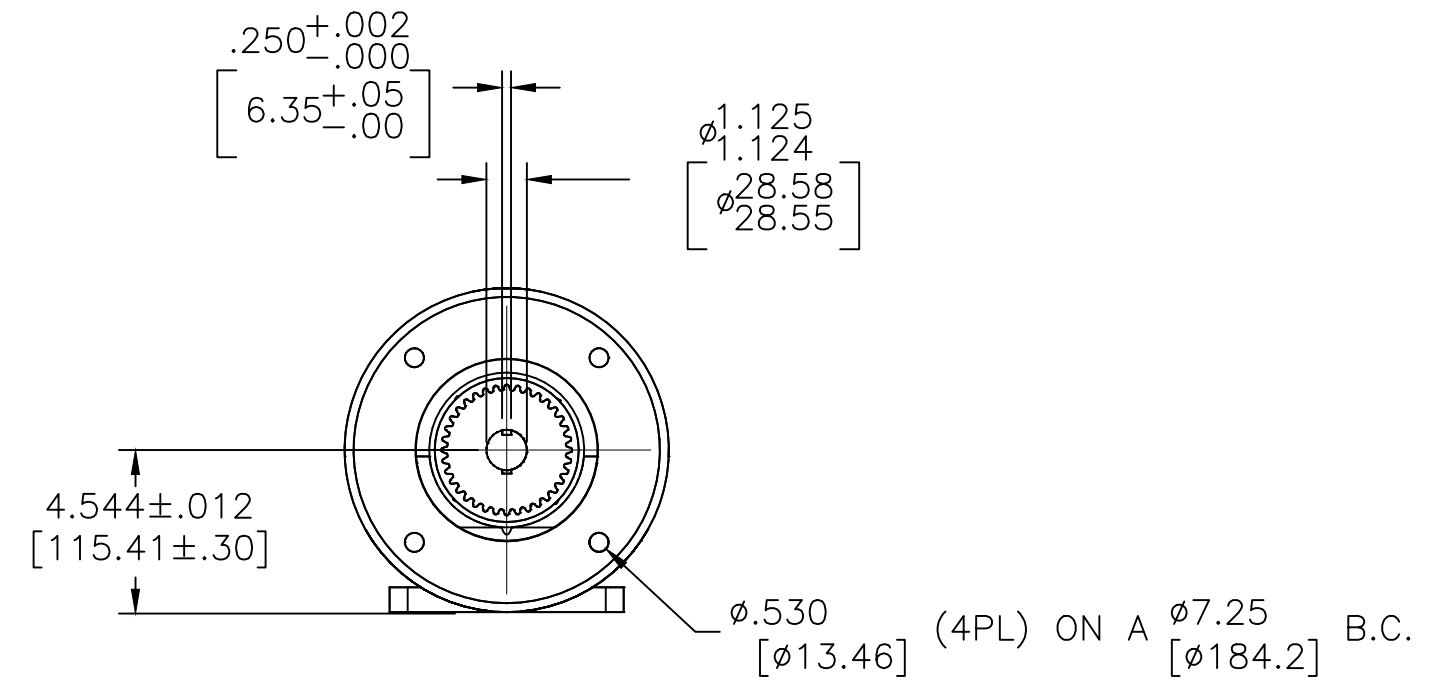
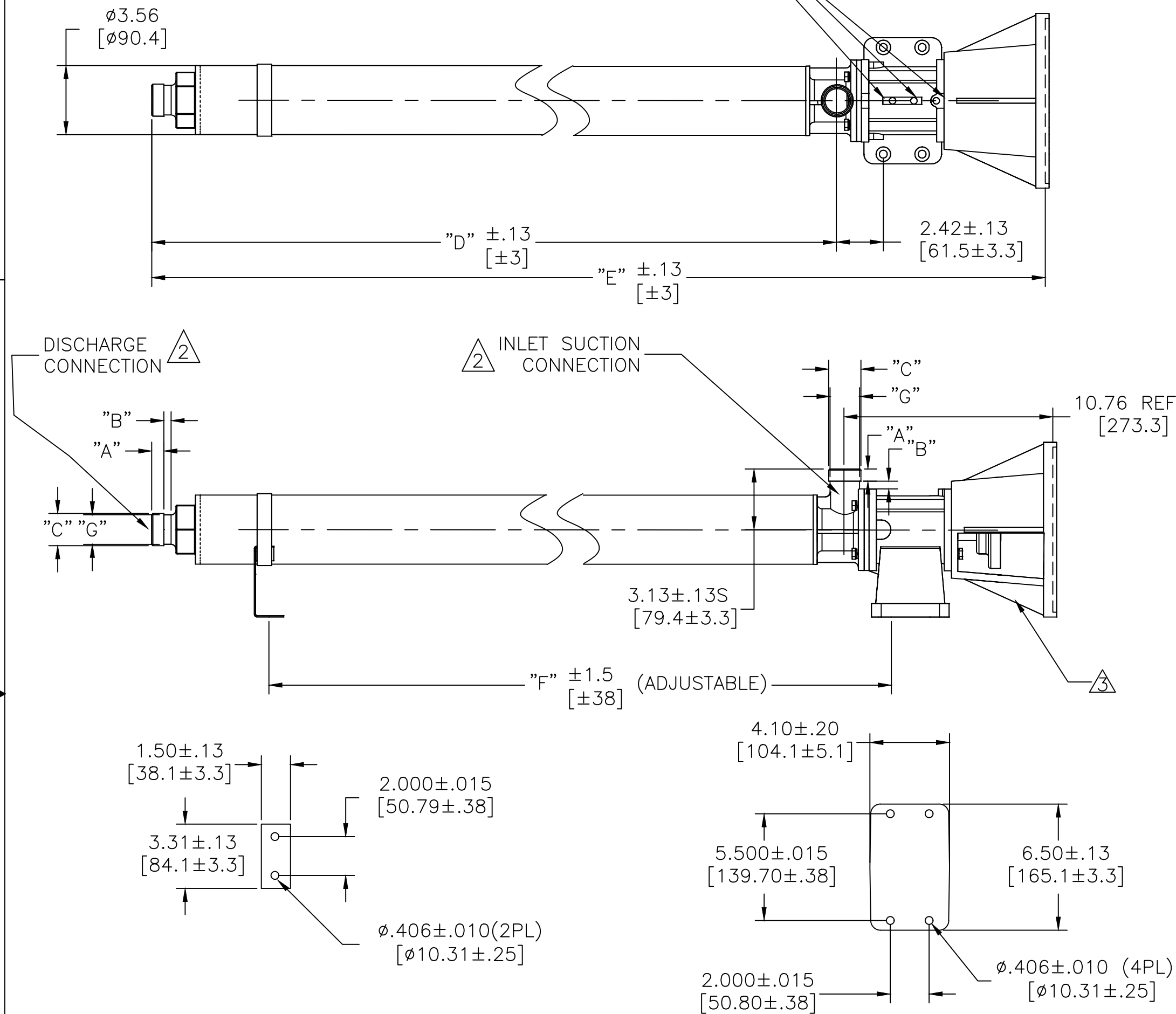


4 GREASE PORTS;
 LUBE CENTER FOR HORIZONTAL MOUNTING
 LUBE LEFT AND CENTER FOR VERTICAL MOUNTING, MOTOR DOWN
 LUBE RIGHT AND CENTER FOR VERTICAL MOUNTING, MOTOR UP



VICTAULIC® DIMENSIONS STANDARD 1.25" INLET & DISCHARGE CONNECTIONS		
ITEM	INCHES	MILLIMETERS
"A"	.625 ± 0.031	15.88 ± 0.78
"B"	.312 ± 0.031	7.92 ± 0.78
"C"	1.660 $^{+.045}_{-.031}$	48.16 $^{+1.14}_{-.78}$
"G"	1.535 $^{+.000}_{-.020}$	39.00 $^{+.00}_{-.51}$

NOTES:

- DIMENSIONS ARE IN INCHES [MILLIMETERS].
- PUMP INLET AND DISCHARGE CONNECTIONS MATE WITH 1.25-INCH VICTAULIC TYPE CLAMPED UNIONS. PUMP INLET MAY BE ROTATED IN 90° INCREMENTS.
- PUMP AND MOTOR ADAPTER WILL ACCEPT NEMA 182TC, 184TC, FRAME 3450 RPM ELECTRIC MOTORS AND #6J WOODS FLEXIBLE COUPLING WITH #6JE SLEEVE. FOR 182TC AND 184TC FRAME MOTORS THE WOODS #6J FLANGE IS TO BE FLUSH WITH END OF PUMP DRIVE SHAFT
- SEE PUMP INSTRUCTIONS P/N 1123174 FOR ADDITIONAL INFORMATION ON INSTALLATION, STARTUP, AND MAINTENANCE.

MODELS		"D"		"E"		"F"	
60HZ	50HZ	INCHES	[MM]	INCHES	[MM]	INCHES	[MM]
SS1823G	SS1823G	28.10	714	38.85	987	22.5	572
SS1832G	SS1832G	36.30	922	47.05	1195	31.5	800
SS1838G	SS1838G	45.18	1147	55.90	1420	39.5	1003
SS2812G	SS2812G	23.75	604	34.50	876	17.5	445
SS2816G	SS2816G	29.73	755	40.48	1028	23.5	597
SS2823G	SS2823G	41.91	1018	52.63	1337	35.5	902

L	VEOLIA REBRANDING	140586	HP	NL	NL	09 Jan 23	TOLERANCES UNLESS NOTED
K	SUEZ REBRANDING	131562	TG	SR	MS	20 Sep 18	DECIMALS ANGLES
J	UPDATED DIMENSIONS	16287	JNB	BRB	JNB	14OCT14	.X .1 2
I	REDRAWN ON ACAD	3334	RLH	BJW	-	24JUN98	.XX .03 FRAC
H	CORRECT VIEWS	3334	RLH	-	-	04MAY94	.XXX .010
REV	DESCRIPTION	ECO	DWN	APPR	APPR	DATE	



CUSTOMER INFORMATION

TF, OUTLINE, SS1800/2800
 "G" BEARING FRAME

DRAWING NUMBER

1120778

REVISION

L

REF.:-	PROJECT NO.	PART/MATERIAL NO.	SCALE	SIZE	SHEET
		MULTIPLE		C	1 OF 1