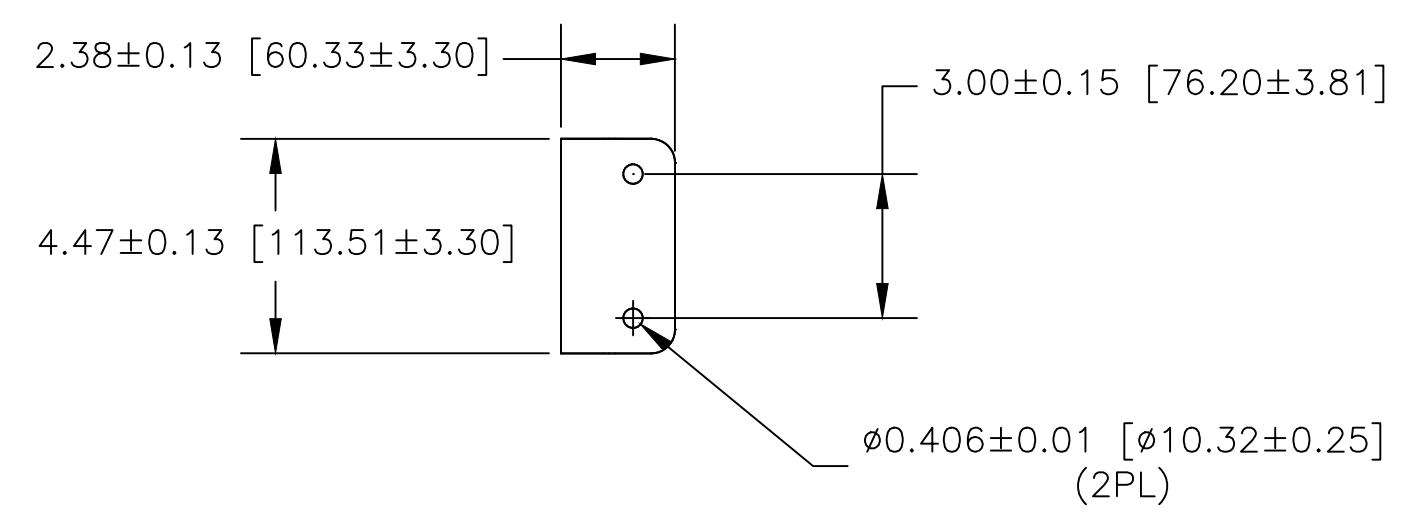
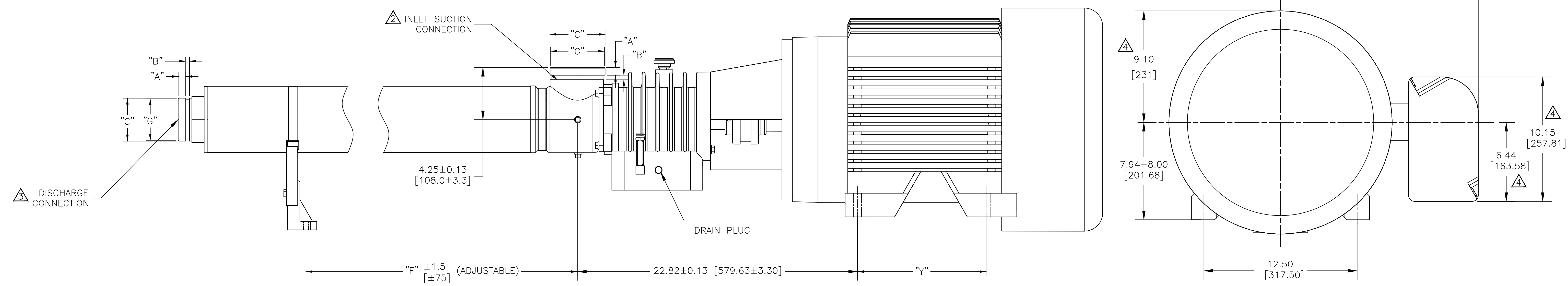
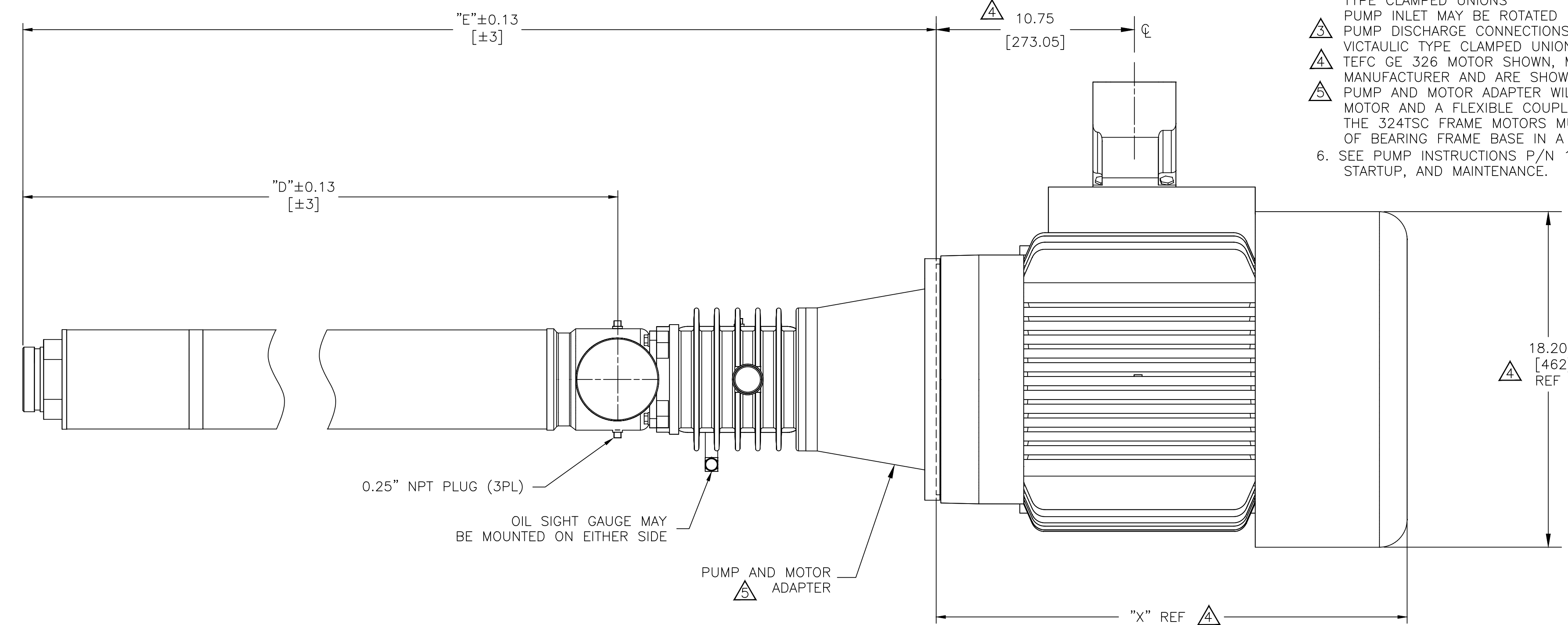


NOTES:

- 1 DIMENSIONS ARE IN INCHES [MILLIMETERS].
- 2 PUMP INLET CONNECTIONS MATE WITH 3-INCH VICTAULIC TYPE CLAMPED UNIONS
- 3 PUMP INLET MAY BE ROTATED IN 90° INCREMENTS.
- 4 PUMP DISCHARGE CONNECTIONS MATE WITH 3-INCH VICTAULIC TYPE CLAMPED UNION
- 5 TEFC GE 326 MOTOR SHOWN, MOTOR DIMENSIONS WILL VARY WITH MANUFACTURER AND ARE SHOWN FOR REFERENCE ONLY.
- 6 PUMP AND MOTOR ADAPTER WILL ACCEPT NEMA 324TSC FRAMES 3565 RPM ELECTRIC MOTOR AND A FLEXIBLE COUPLING WITH THE END OF THE PUMP DRIVE SHAFT. THE 324TSC FRAME MOTORS MUST HAVE A BASE AND BE RIGIDLY MOUNTED. MOUNTING OF BEARING FRAME BASE IN A STRAIN-FREE MANNER IS OPTIONAL WITH 324TSC FRAME MOTORS.
- 6. SEE PUMP INSTRUCTIONS P/N 1125317 FOR ADDITIONAL INFORMATION ON INSTALLATION, STARTUP, AND MAINTENANCE.



| VICTAULIC® DIMENSIONS STANDARD 3" | | |
|--------------------------------------|--------------------|------------------|
| INLET & DISCHARGE CONNECTIONS | | |
| ITEM | INCHES | MILLIMETERS |
| "A" | 0.625±0.031 | 15.88±0.78 |
| "B" | 0.312±0.031 | 7.94±0.78 |
| "C" | 3.500±0.031 | 88.90±0.78 |
| "G" | 3.344+0.000/-0.018 | 84.94+0.00/-0.46 |

| NEMA FRAME SIZE | "X" | | "Y" | |
|-----------------|--------|------|--------|------|
| | INCHES | [MM] | INCHES | [MM] |
| 324TSC | 23.82 | 605 | 10.50 | 266 |

| MODELS | | "D" | "E" | "F" |
|-----------|-----------|--------|--------|--------|
| 60HZ | 50HZ | INCHES | INCHES | INCHES |
| AS9027KZE | AS9027KZE | 72.72 | 90.01 | 66.72 |

| REV | DESCRIPTION | ECO | DWN | APPR | APPR | DATE |
|-----|---|--------|-----|------|------|-----------|
| E | VEOLIA REBRANDING | 140586 | HP | NL | NL | 09 Jan 23 |
| D | SUEZ REBRANDING | 131562 | TG | SR | MS | 20 Sep 18 |
| C | SUCTION HEIGHT ADJUSTED | 15466 | GMK | SS | MG | 30JAN13 |
| B | CORRECTED TABLES, REVISED DIMENSIONS IN | 15205 | GMK | SS | MG | 09AUG12 |
| A | INITIAL RELEASE | 14825 | - | - | - | - |

| TOLERANCES UNLESS NOTED | |
|-------------------------|--------|
| DECIMALS | ANGLES |
| .X .1 | 2 |
| XX .03 | FRAC |
| XXX .010 | |



| CUSTOMER INFORMATION |
|----------------------|
| |

| DWG,TF,OUTLINE,AS9000KZE, 324TSC NEMA MOTOR |
|--|
| |

| DRAWING NUMBER | | REVISION | |
|----------------|---------------|-------------|-------------------|
| 1310490 | | E | |
| REF.: - | DOC. OWNER: - | PROJECT NO. | PART/MATERIAL NO. |
| SCALE | SIZE | SHEET | |
| 1:4 | D | 1 OF 1 | |