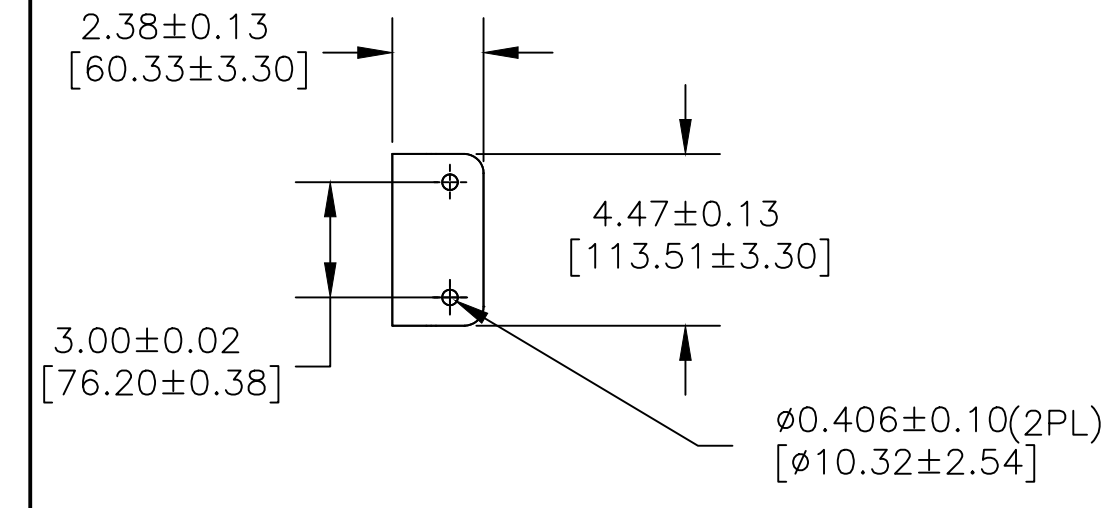
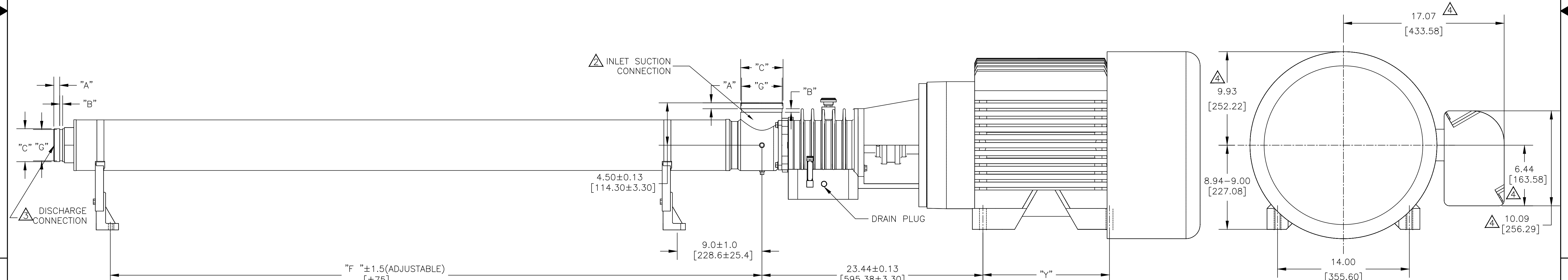
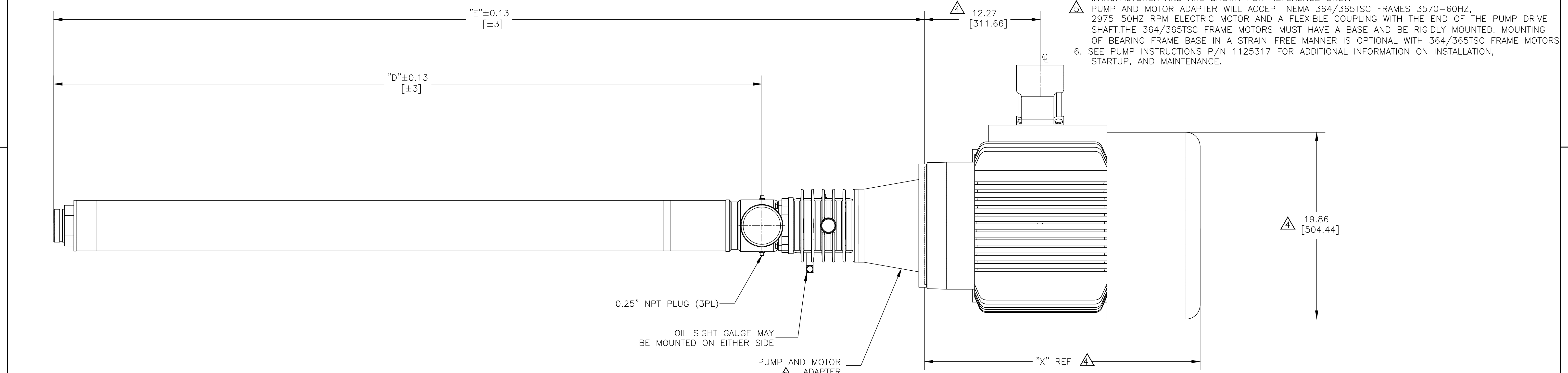


NOTES:

- 1 DIMENSIONS ARE IN INCHES [MILLIMETERS].
- 2 PUMP INLET CONNECTIONS MATE WITH 4-INCH VICTAULIC TYPE CLAMPED UNIONS
- 3 PUMP INLET MAY BE ROTATED IN 90° INCREMENTS.
- 4 PUMP DISCHARGE CONNECTIONS MATE WITH 3-INCH VICTAULIC TYPE CLAMPED UNION
- 5 TEFC GE 324TSC MOTOR SHOWN, MOTOR DIMENSIONS WILL VARY WITH MANUFACTURER AND ARE SHOWN FOR REFERENCE ONLY.
- 6 PUMP AND MOTOR ADAPTER WILL ACCEPT NEMA 364/365TSC FRAMES 3570-60HZ, 2975-50HZ RPM ELECTRIC MOTOR AND A FLEXIBLE COUPLING WITH THE END OF THE PUMP DRIVE SHAFT. THE 364/365TSC FRAME MOTORS MUST HAVE A BASE AND BE RIGIDLY MOUNTED. MOUNTING OF BEARING FRAME BASE IN A STRAIN-FREE MANNER IS OPTIONAL WITH 364/365TSC FRAME MOTORS
- 7 SEE PUMP INSTRUCTIONS P/N 1125317 FOR ADDITIONAL INFORMATION ON INSTALLATION, STARTUP, AND MAINTENANCE.



VICTAULIC® DIMENSIONS STANDARD 3" DISCHARGE CONNECTIONS			VICTAULIC® DIMENSIONS STANDARD 4" INLET CONNECTIONS		
ITEM	INCHES	MILLIMETERS	ITEM	INCHES	MILLIMETERS
"A"	0.625±0.031	15.88±0.78	"A"	0.625±0.031	15.88±0.78
"B"	0.312±0.031	7.94±0.78	"B"	0.375±0.031	9.53±0.78
"C"	3.500±0.031	88.90±0.78	"C"	4.500±0.031	114.30±0.78
"G"	3.344 <sup>+0.000</sup> <sub>-0.018</sub>	84.94 <sup>+0.00</sup> <sub>-0.46</sub>	"G"	4.334 <sup>+0.000</sup> <sub>-0.020</sub>	110.08 <sup>+0.00</sup> <sub>-0.51</sub>

NEMA FRAME SIZE	"X"		"Y"	
	INCHES	[MM]	INCHES	[MM]
364TSC	29.26	743	11.25	285
365TSC	29.26	743	12.25	311

MODELS		"D"	"E"	"F"
60HZ	50HZ	INCHES	INCHES	INCHES
AS22515KZE	AS22515KZE	75.24	92.53	69.24
AS30012KZE		61.88	79.18	55.88
AS30015KTE		75.24	92.53	69.24

REV	DESCRIPTION	ECO	DWN	APPR	APPR	DATE
C	SUEZ REBRANDING	131562	TG	SR	MS	20 Sep 18
B	MODEL TABLE MODIFIED	15824	VSK	SS	MG	22 JAN 14
A	INITIAL RELEASE	14785	-	-	-	-

TOLERANCES UNLESS NOTED	
DECIMALS	ANGLES
.X 1	2
.XX .03	FRAC
.XXX .010	



CUSTOMER INFORMATION

DWG,TF,OUTLINE,AS22500KZE,  
AS30000KZE,AS30000KTE,

DRAWING NUMBER				REVISION	
1310321				C	
REF.:	PROJECT NO.	PART/MATERIAL NO.	SCALE	SIZE	SHEET
-			1:5	D	1 OF 1