

NOTES:

- 1 DIMENSIONS ARE IN INCHES [MILLIMETERS].
- 2 PUMP INLET CONNECTIONS MATE WITH 4-INCH VICTAULIC TYPE CLAMPED UNIONS. PUMP INLET MAY BE ROTATED IN 90° INCREMENTS.
- 3 PUMP DISCHARGE CONNECTIONS MATE WITH 3-INCH VICTAULIC TYPE CLAMPED UNIONS.
- 4 PUMP AND MOTOR ADAPTER WILL ACCEPT NEMA 215TC AND 254TC FRAME 3565 RPM ELECTRIC MOTORS AND A FLEXIBLE COUPLING. FOR 215TC AND 254TC FRAME MOTORS, THE FLANGE IS TO BE FLUSH WITH THE END OF THE PUMP DRIVE SHAFT.
- 5 SEE PUMP INSTRUCTIONS P/N 1123175 FOR ADDITIONAL INFORMATION ON INSTALLATION, STARTUP, AND MAINTENANCE.

NEMA FRAME SIZE	INCHES	[MM]
215TC	8.00	203.2
254TC	10.00	254

NEMA FRAME SIZE	INCHES	[MM]
215TC	9.50	241.4
254TC	12.15	308.7

NEMA FRAME SIZE	INCHES	[MM]
215TC	3.50	88.9
254TC	4.59	116.6

NEMA FRAME SIZE	INCHES	[MM]
215TC	5.78	147
254TC	7.37	187

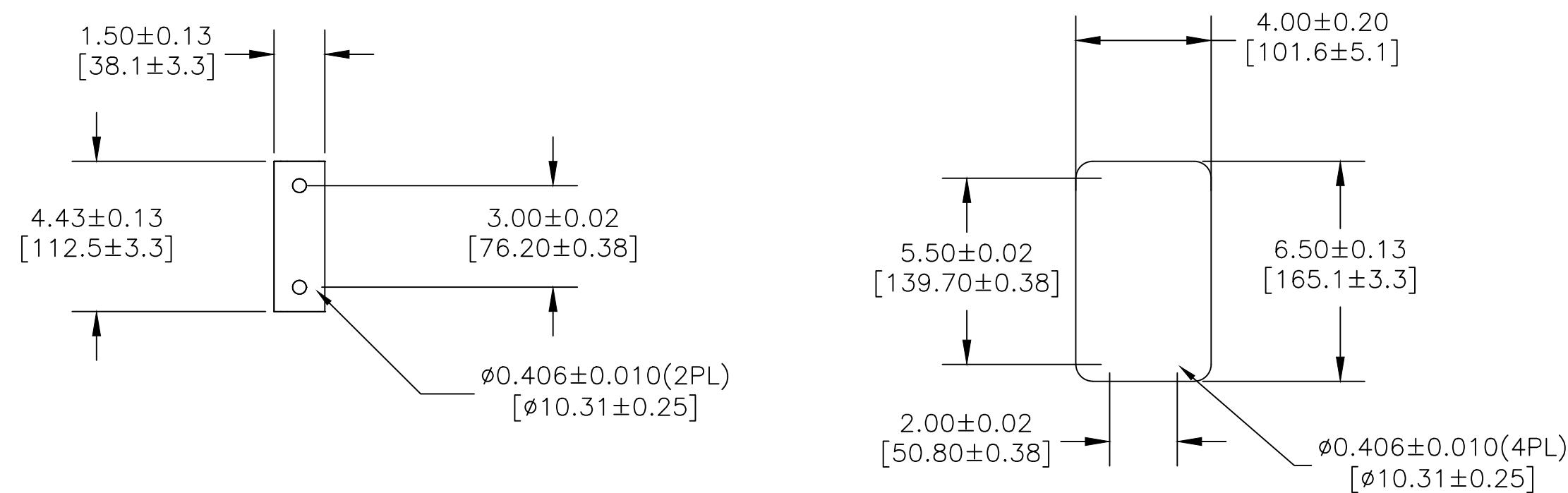
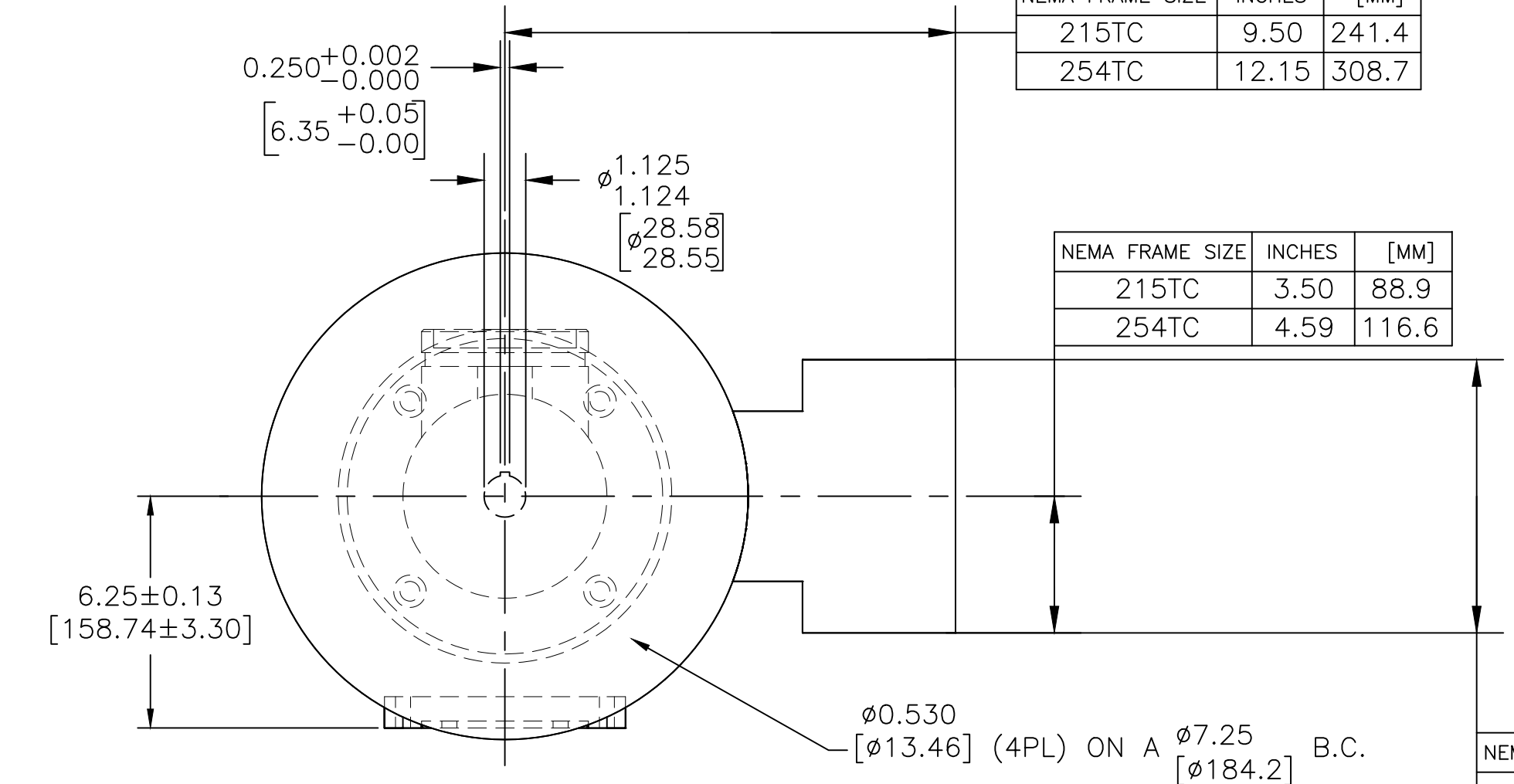
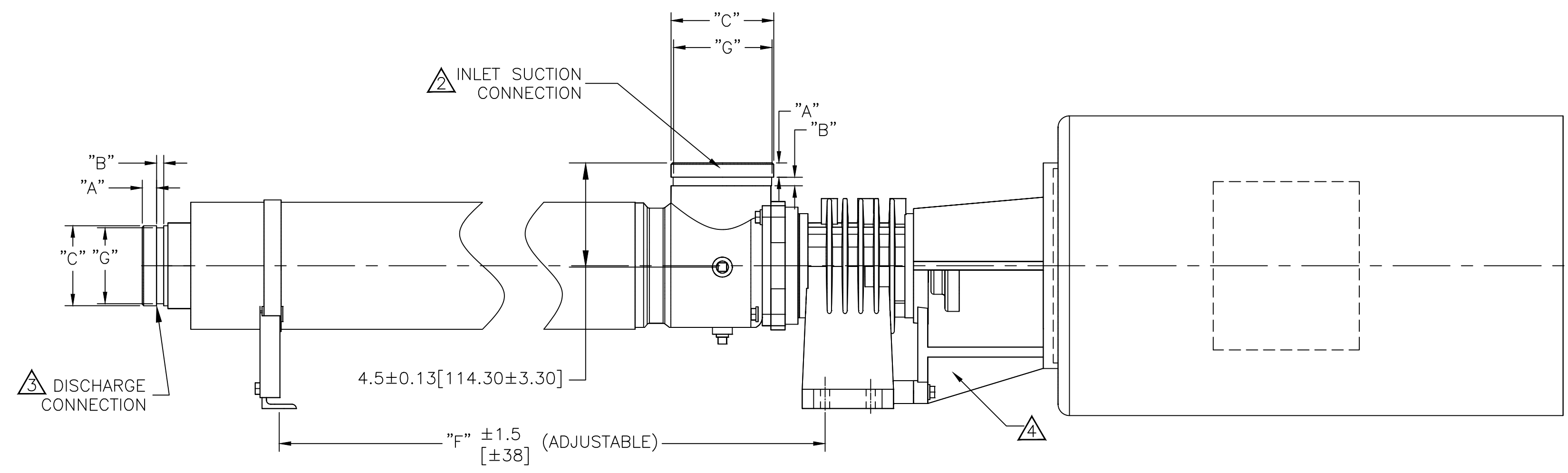
VICTAULIC® DIMENSIONS STANDARD 3" DISCHARGE CONNECTIONS		
ITEM	INCHES	MILLIMETERS
"A"	0.625±0.031	15.88±0.78
"B"	0.312±0.031	7.94±0.78
"C"	3.50±0.031	88.90±0.78
"G"	3.344 ^{+0.000} _{-0.018}	84.94 ^{+0.00} _{-0.46}

VICTAULIC® DIMENSIONS STANDARD 4" INLET CONNECTIONS		
ITEM	INCHES	MILLIMETERS
"A"	0.625±0.031	15.88±0.78
"B"	0.375±0.031	9.53±0.78
"C"	4.50±0.031	114.30±0.78
"G"	4.334 ^{+0.000} _{-0.020}	110.08 ^{+0.00} _{-0.51}

MODELS		"D"	"E"	"F"
60HZ	50HZ	INCHES	INCHES	INCHES
AS22503D	AS22503D	21.81	36.31	20.31
AS30003D	AS30003D	21.81	36.31	20.31

NEMA FRAME SIZE	"X"		"Y"		"Z"	
	INCHES	[MM]	INCHES	[MM]	INCHES	[MM]
215TC	17.77	451.4	FOOTLESS	11.00	279.4	
254TC	22.34	567.4	FOOTLESS	13.12	333.2	

GREASE PORTS;
LUBE CENTER FOR HORIZONTAL MOUNTING
LUBE LEFT AND CENTER FOR VERTICAL MOUNTING, MOTOR DOWN
LUBE RIGHT AND CENTER FOR VERTICAL MOUNTING, MOTOR UP



REV	DESCRIPTION	ECO	DWN	APPR	APPR	DATE
D	VEOLIA REBRANDING	140586	HP	NL	NL	09 Jan 23
C	SUEZ REBRANDING	131562	TG	SR	MS	20 Sep 18
B	MODEL TABLE MODIFIED	15824	GMK	SS	MG	22 JAN 14
A	INITIAL RELEASE	14785	-	-	-	-

TOLERANCES UNLESS NOTED	
DECIMALS	ANGLES
.X 0.1	2
.XX 0.03	FRAC
.XXX 0.010	



CUSTOMER INFORMATION

DWG,TF,OUTLINE,AS22500,
AS30000 "D" SERIES PUMP

DRAWING NUMBER				REVISION	
1310307				D	
REF.:	PROJECT NO.	PART/MATERIAL NO.	SCALE	SIZE	SHEET
-			1:4	D	1 OF 1