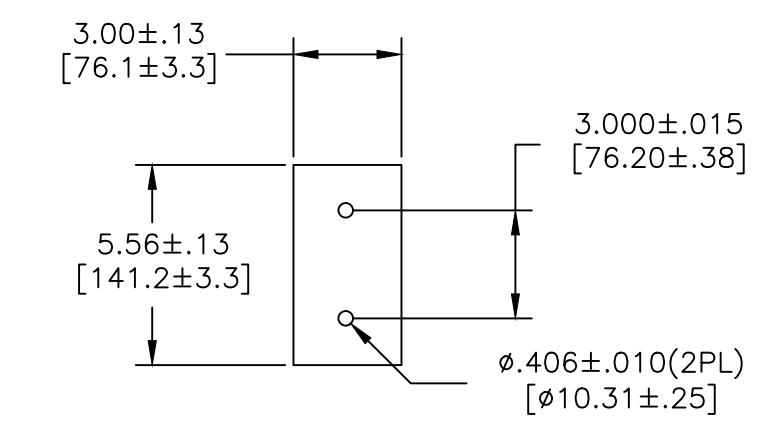
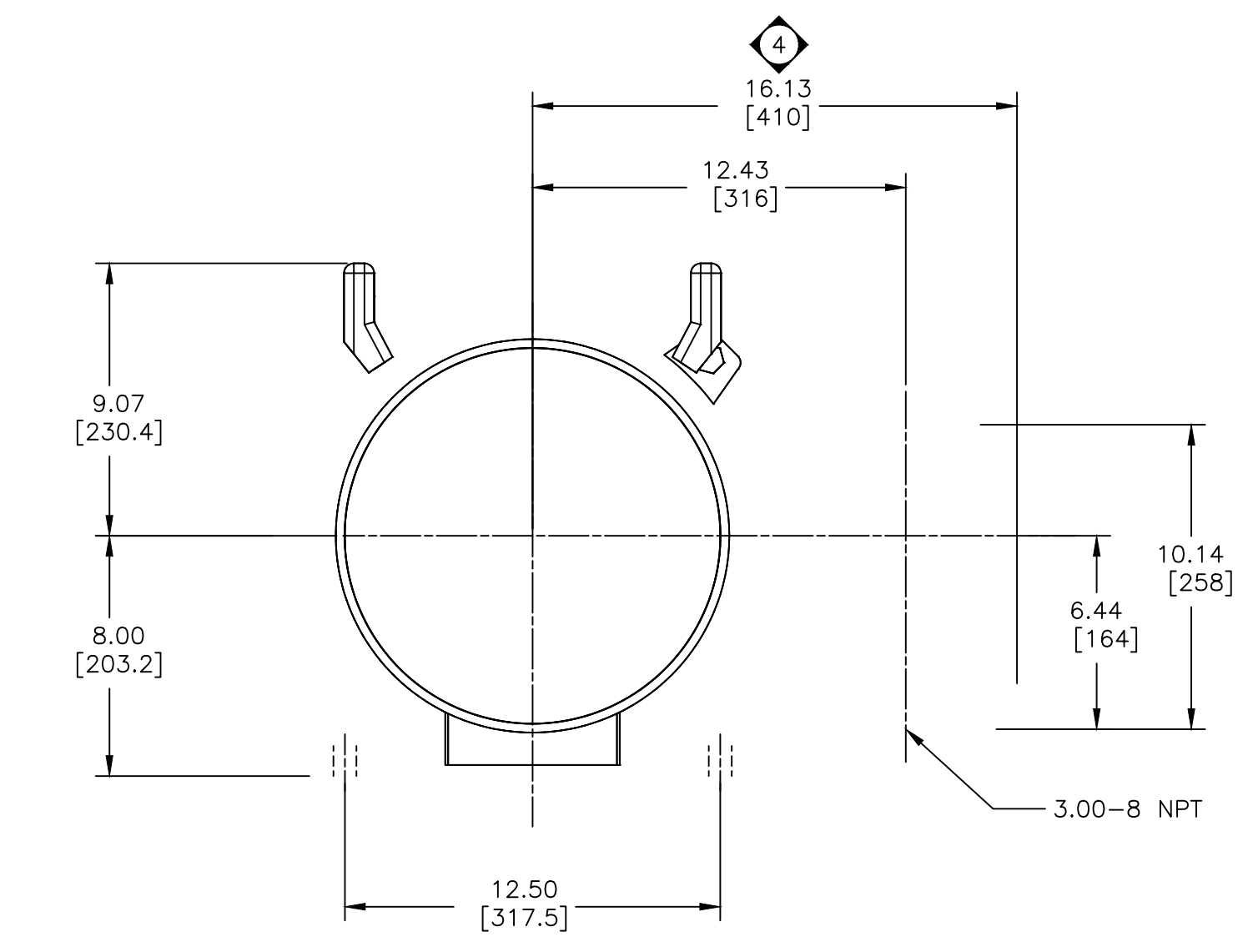
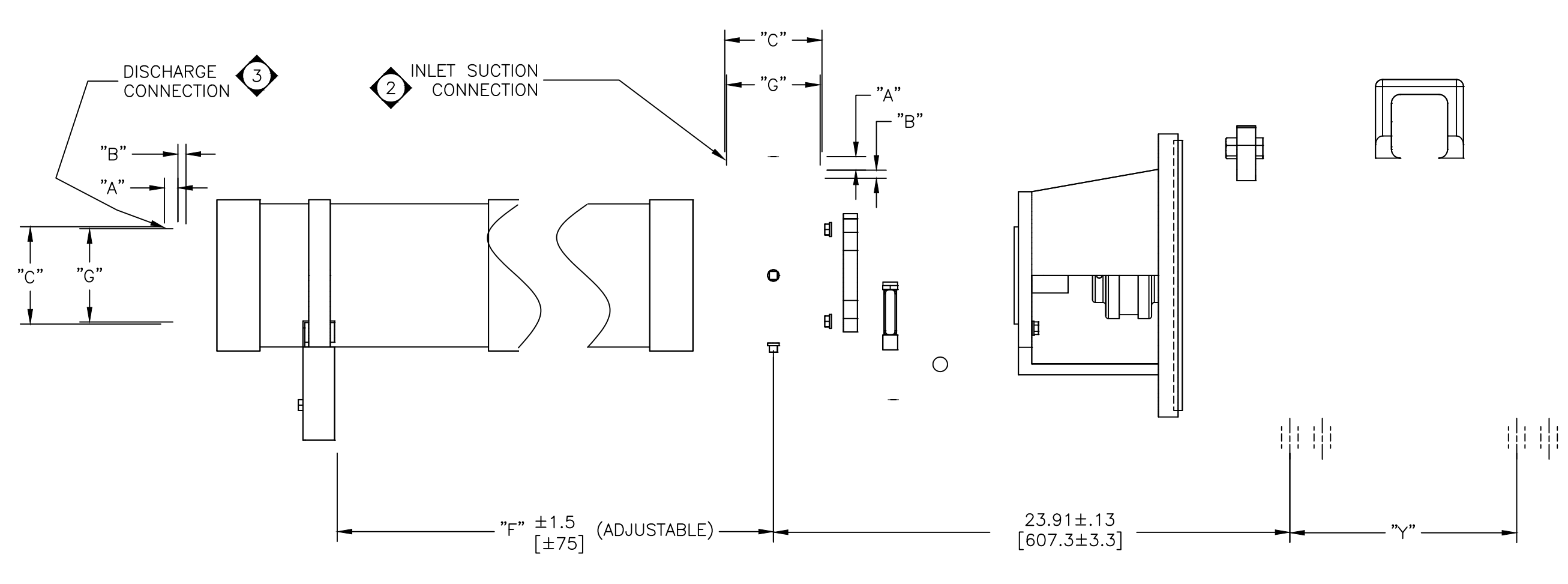
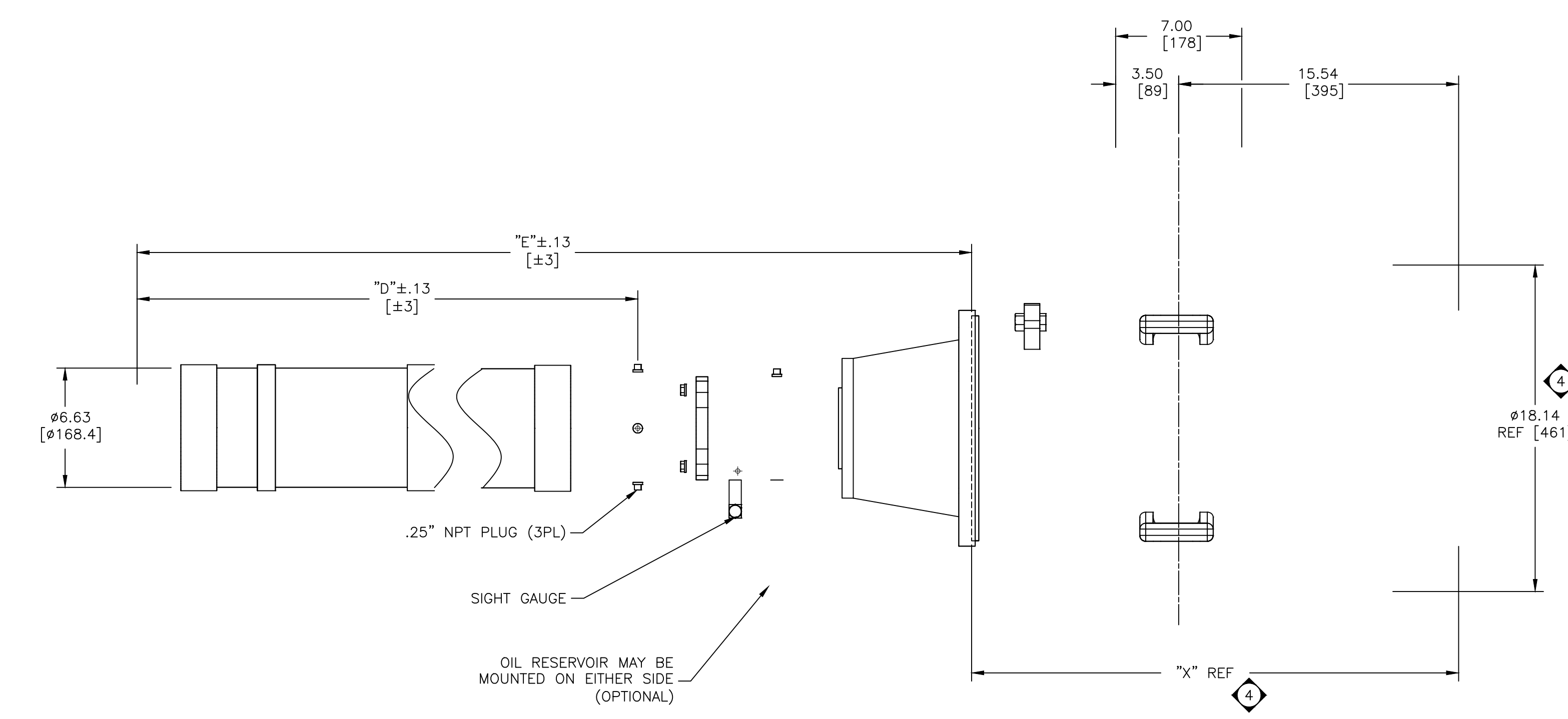


NOTES:

1. DIMENSIONS ARE IN INCHES [MILLIMETERS].
2. 406XX PUMP MODELS MATE WITH 6-INCH VICTAULIC TYPE CLAMPED UNIONS.
404XX PUMP MODELS MATE WITH 4-INCH VICTAULIC TYPE CLAMPED UNION.
4-INCH SIZE INLET IS SHOWN. INLET MAYBE ROTATED IN 90° INCREMENTS. SEE TABLES FOR VICTAULIC DIMENSIONS.
3. PUMP DISCHARGE CONNECTIONS MATE WITH 4-INCH VICTAULIC TYPE CLAMPED UNION
4. TEFC GENERAL ELECTRIC 326TSC MOTOR SHOWN, MOTOR DIMENSIONS WILL VARY WITH MANUFACTURER AND ARE SHOWN FOR REFERENCE ONLY.
5. PUMP AND MOTOR ADAPTER WILL ACCEPT NEMA 324/326TSC FRAMES 3600 RPM ELECTRIC MOTOR AND A WOODS OR DODGE FLEXIBLE COUPLING WITH THE END OF THE PUMP DRIVE SHAFT. THE 324/326TSC FRAME MOTORS MUST HAVE A BASE AND BE RIGIDLY MOUNTED. MOUNTING OF BEARING FRAME BASE IN A STRAIN-FREE MANNER IS OPTIONAL WITH 324/326TSC FRAME MOTORS.
6. SEE PUMP INSTRUCTIONS P/N 1125317 FOR ADDITIONAL INFORMATION ON INSTALLATION, STARTUP, AND MAINTENANCE.
7. FOR REPRINTS OF THIS DRAWING, ORDER MATERIAL NO. 1225752.



MOTOR SIZE		"X"		"Y"	
		INCHES	[MM]	INCHES	[MM]
324TSC		27.04	687	10.50	267
326TSC		27.04	687	12.00	305

MODELS		"D"		"E"		"F"	
		INCHES	[MM]	INCHES	[MM]	INCHES	[MM]
60HZ	50HZ						
AS40404KZE/AS40604KZE		31.27	794	49.67	1262	25.27	642
AS40405KZE/AS40605KZE		36.31	922	54.73	1390	30.31	770
	AS40406KZE/AS40606KZE	41.36	1051	59.78	1518	35.36	898
	AS40408KZE/AS40608KZE	51.45	1307	69.87	1775	45.45	1155

VICTAULIC® DIMENSIONS STANDARD 4" DISCHARGE CONNECTIONS			VICTAULIC® DIMENSIONS STANDARD 6" INLET CONNECTION		
ITEM	INCHES	MILLIMETERS	ITEM	INCHES	MILLIMETERS
"A"	.625±.031	15.88±.78	"A"	.625±.031	15.88±.78
"B"	.375±.031	9.53±.78	"B"	.375±.031	9.53±.78
"C"	4.500 ^{+.045} _{-.031}	114.30 ^{+.114} _{-.78}	"C"	6.625 ^{+.063} _{-.031}	168.28 ^{+.160} _{-.78}
"G"	4.334 ^{+.000} _{-.020}	110.08 ^{+.00} _{-.51}	"G"	6.455 ^{+.000} _{-.022}	163.96 ^{+.00} _{-.56}

REV	DESCRIPTION	ECO	DWN	APPR	APPR	DATE
D	VEOLIA REBRANDING	140586	HP	NL	NL	09 Jan 23
C	SUEZ REBRANDING	131562	TG	SR	MS	19 Oct 18
B	ADDED AS40405KE/AS40605KE	5724	PFM	-	MJT	04MAY01
A	INITIAL RELEASE	5214	-	-	-	-

TOLERANCES UNLESS NOTED	
DECIMALS	ANGLES
.X +/- .1	+/- 2°
.XX +/- .03	FRAC
.XXX +/- .010	N/A



CUSTOMER INFORMATION
DWG,TF,OUTLINE,AS40000KZE
324/326TSC NEMA MOTOR

DRAWING NUMBER	REVISION
1202830	D

REF.:	PROJECT NO.	PART/MATERIAL NO.	SCALE	SIZE	SHEET
-	-	1225752	3:16	D	1 OF 1