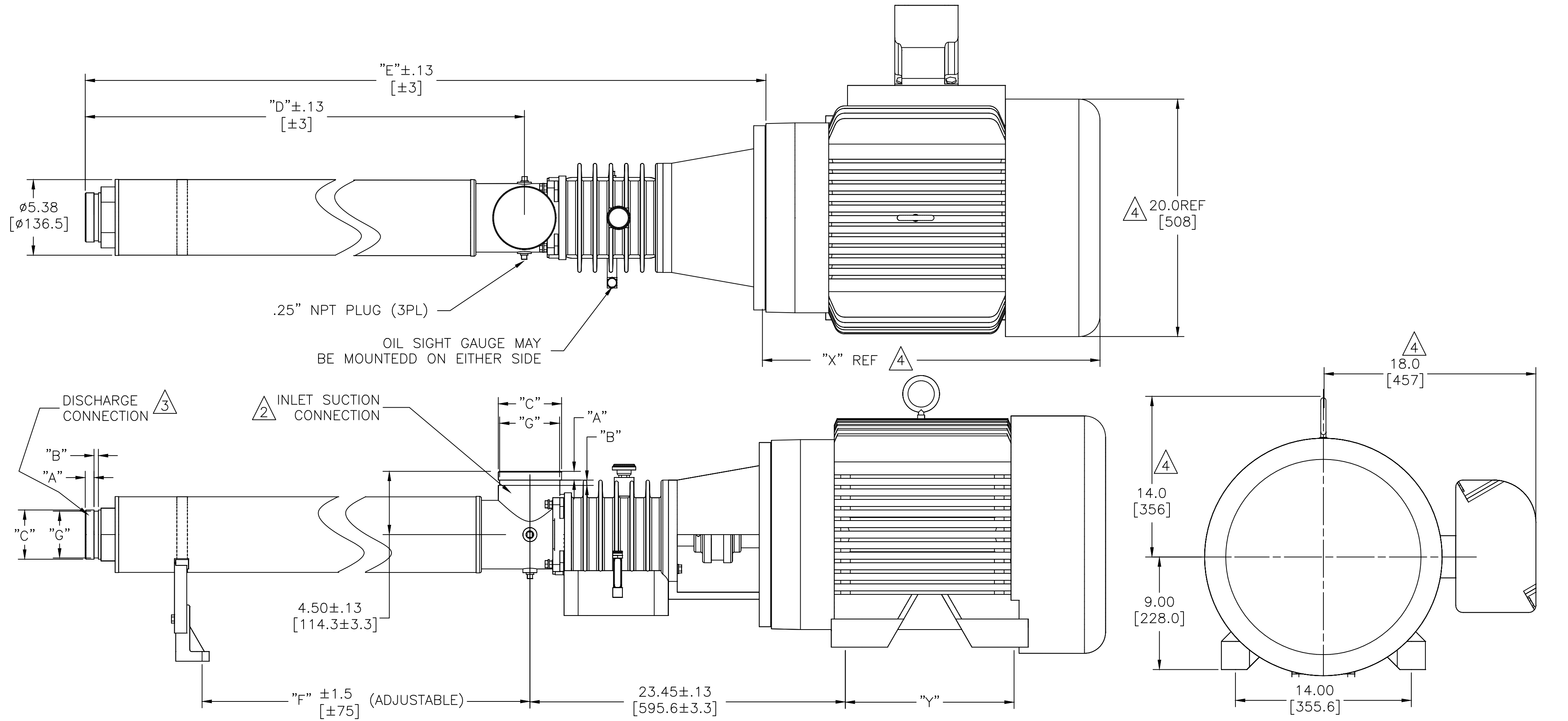


4

3

2

1



20.0 REF [508]

"X" REF [4]

18.0 [457]

14.0 [356]

9.00 [228.0]

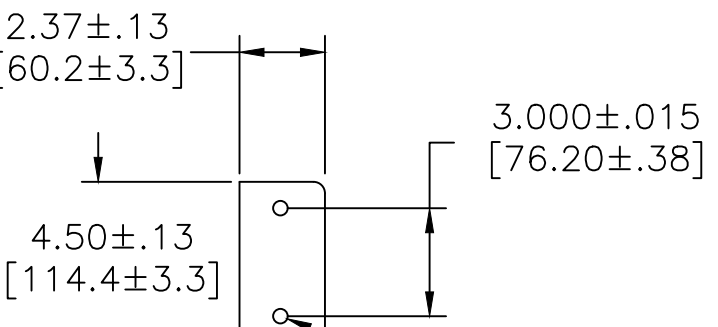
14.00 [355.6]

MODELS		"D"		"E"		"F"	
60HZ	50HZ	INCHES	[MM]	INCHES	[MM]	INCHES	[MM]
SS24009KE		47.71	1211	65.00	1651	41.71	1059
SS24011KE	SS24011KE	56.31	1430	73.60	1869	50.31	1277
SS24012KE		60.61	1539	77.90	1979	54.61	1387
	SS24013KE	66.46	1688	83.75	2127	60.46	1535
SS24016KE	SS24016KE	79.34	2015	96.63	2454	73.34	1862
	SS24018KE	87.88	2232	105.17	2671	81.88	2080

VICTAULIC® DIMENSIONS STANDARD 3" DISCHARGE CONNECTIONS		
ITEM	INCHES	MILLIMETERS
"A"	.625±.031	15.88±.78
"B"	.312±.031	7.94±.78
"C"	3.500±.031	88.90±.78
"G"	3.344 ^{+.000} _{-.018}	84.94 ^{+.00} _{-.46}

VICTAULIC® DIMENSIONS STANDARD 4" INLET CONNECTIONS		
ITEM	INCHES	MILLIMETERS
"A"	.625±.031	15.88±.78
"B"	.375±.031	9.53±.78
"C"	4.500±.031	114.30±.78
"G"	4.334 ^{+.000} _{-.020}	110.08 ^{+.00} _{-.51}

MOTOR SIZE	"X"		"Y"	
	INCHES	[MM]	INCHES	[MM]
364TSC	25.88	657	11.25	285
365TSC	26.88	682	12.25	311



- NOTES:
- DIMENSIONS ARE IN INCHES [MILLIMETERS].
 - PUMP INLET CONNECTIONS MATE WITH 4-INCH VICTAULIC TYPE CLAMPED UNIONS
PUMP INLET MAY BE ROTATED IN 90° INCREMENTS.
 - PUMP DISCHARGE CONNECTIONS MATE WITH 3-INCH VICTAULIC TYPE CLAMPED UNION
 - TEFC MARATHON 364TSC MOTOR SHOWN, MOTOR DIMENSIONS WILL VARY WITH MANUFACTURER AND ARE SHOWN FOR REFERENCE ONLY.
 - PUMP AND MOTOR ADAPTER WILL ACCEPT NEMA 364/365TSC FRAMES 3450 RPM ELECTRIC MOTOR AND A WOODS FLEXIBLE COUPLING WITH THE END OF THE PUMP DRIVE SHAFT.
THE 364/365TSC FRAME MOTORS MUST HAVE A BASE AND BE RIGIDLY MOUNTED. MOUNTING OF BEARING FRAME BASE IN A STRAIN-FREE MANNER IS OPTIONAL WITH 364/365TSC FRAME MOTORS.
 - SEE PUMP INSTRUCTIONS P/N 1125314 FOR ADDITIONAL INFORMATION ON INSTALLATION, STARTUP, AND MAINTENANCE.

E	VEOLIA REBRANDING	140586	HP	NL	NL	09 Jan 23	TOLERANCES UNLESS NOTED
D	SUEZ REBRANDING	131562	TG	SR	MS	20 Sep 18	DECIMALS ANGLES
C	REDRAWN ON ACAD	3334	PFM	MJT	-	23 Jun 98	.X .1 2"
B	24018KE & HOLE DIM ADDED	2803	ARD	WOG	-	15 May 97	.XX .03 FRAC
A	RELEASED PER ECO	1743	CBH	EMW	-	27 Jun 96	.XXX .010
REV	DESCRIPTION	ECO	DWN	APPR	APPR	DATE	



CUSTOMER INFORMATION

DWG, TF, OUTLINE
SS24000KE, 364/365TSC NEMA MOTORS

DRAWING NUMBER		REVISION
1125290		E
PROJECT NO.	PART/MATERIAL NO.	SCALE SIZE SHEET
		3/16" = 1" C 1 OF 1

4

3

2

1