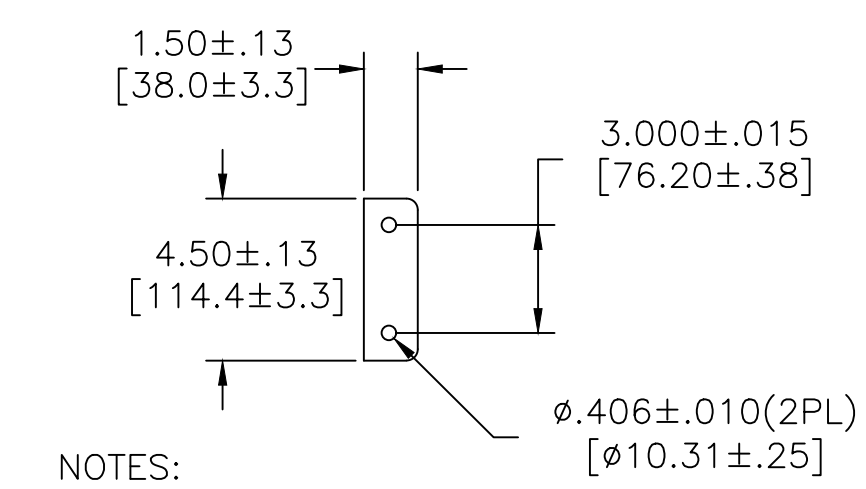
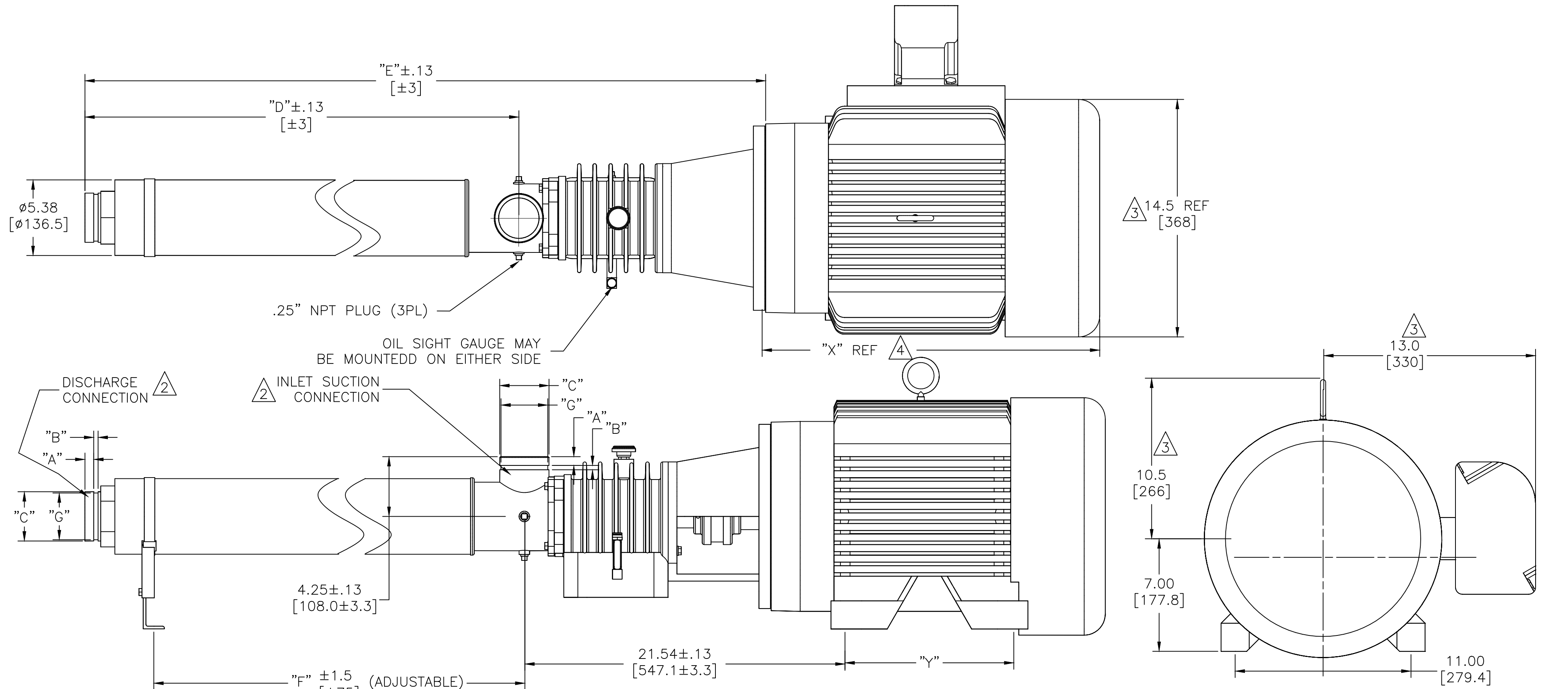


4

3

2

1



VICTAULIC® DIMENSIONS  
STANDARD 3" CONNECTIONS

| ITEM | INCHES                                  | MILLIMETERS                           |
|------|---|---------------------------------------|
| "A"  | .625 ±.031                              | 15.88 ±.78                            |
| "B"  | .312 ±.031                              | 7.94 ±.78                             |
| "C"  | 3.500 ±.031                             | 88.90 ±.78                            |
| "G"  | 3.344 <sup>+.000</sup> <sub>-.018</sub> | 84.94 <sup>+.00</sup> <sub>-.46</sub> |

| MODELS   |          | "D"    |      | "E"    |      | "F"    |      |
|----------|----------|--------|------|--------|------|--------|------|
| 60HZ     | 50HZ     | INCHES | [MM] | INCHES | [MM] | INCHES | [MM] |
| SS5522KC |          | 54.58  | 1386 | 71.11  | 1806 | 48.58  | 1233 |
| SS5524KC | SS5524KC | 58.53  | 1486 | 75.06  | 1906 | 52.53  | 1334 |
|          | SS5527KC | 64.44  | 1636 | 80.97  | 2056 | 58.44  | 1484 |
|          | SS5530KC | 70.35  | 1786 | 86.88  | 2206 | 64.35  | 1634 |
|          | SS5533KC | 76.26  | 1937 | 92.79  | 2356 | 70.26  | 1784 |
|          | SS5536KC | 84.80  | 2153 | 101.33 | 2573 | 78.80  | 2001 |
| SS8516KC |          | 40.12  | 1019 | 56.65  | 1438 | 34.12  | 866  |
| SS8520KC | SS8520KC | 50.63  | 1286 | 67.16  | 1705 | 44.63  | 1133 |
| SS8522KC | SS8522KC | 54.58  | 1386 | 71.11  | 1806 | 48.58  | 1233 |
| SS8524KC | SS8524KC | 58.53  | 1486 | 75.06  | 1907 | 52.58  | 1334 |

| MODELS    |           | "D"    |      | "E"    |      | "F"    |      |
|-----------|-----------|--------|------|--------|------|--------|------|
| 60HZ      | 50HZ      | INCHES | [MM] | INCHES | [MM] | INCHES | [MM] |
| SS8527KC  | SS8527KC  | 64.44  | 1636 | 80.97  | 2056 | 58.44  | 1484 |
| SS8533KC  | SS8533KC  | 76.26  | 1937 | 92.79  | 2356 | 70.26  | 1784 |
|           | SS8536KC  | 84.80  | 2153 | 101.33 | 2573 | 78.80  | 2001 |
| SS12508KC |           | 32.90  | 835  | 49.44  | 1255 | 26.90  | 683  |
| SS12509KC | SS12509KC | 36.00  | 914  | 52.53  | 1334 | 30.00  | 762  |
| SS12512KC | SS12512KC | 47.79  | 1213 | 64.32  | 1633 | 41.79  | 1061 |
|           | SS12516KC | 59.97  | 1523 | 76.50  | 1943 | 53.97  | 1370 |

| MOTOR SIZE | "X"    |      | "Y"    |      |
|------------|--------|------|--------|------|
|            | INCHES | [MM] | INCHES | [MM] |
| 284TSC     | 25.88  | 657  | 9.50   | 241  |
| 286TSC     | 26.88  | 682  | 11.00  | 279  |

- DIMENSIONS ARE IN INCHES [MILLIMETERS].
- PUMP INLET AND DISCHARGE CONNECTIONS MATE WITH 3-INCH VICTAULIC TYPE CLAMPED UNIONS. PUMP INLET MAY BE ROTATED IN 90° INCREMENTS.
- TEFC MARATHON 284TSC MOTOR SHOWN, MOTOR DIMENSIONS WILL VARY WITH MANUFACTURER AND ARE SHOWN FOR REFERENCE ONLY.
- PUMP AND MOTOR ADAPTER WILL ACCEPT NEMA 284/286TSC FRAMES 3450 RPM ELECTRIC MOTOR AND A WOODS FLEXIBLE COUPLING WITH THE END OF THE PUMP DRIVE SHAFT. THE 284/286TSC FRAME MOTORS MUST HAVE A BASE AND BE RIGIDLY MOUNTED. MOUNTING OF BEARING FRAME BASE IN A STRAIN-FREE MANNER IS OPTIONAL WITH 284/286TSC FRAME MOTORS.
- SEE PUMP INSTRUCTIONS P/N 1125314 FOR ADDITIONAL INFORMATION ON INSTALLATION, STARTUP, AND MAINTENANCE.

|  |  |   |  |   |  |  |  |  |  |                           |  |   |  |
|--|--|---|--|---|--|--|--|--|--|---------------------------|--|---|--|
| C SUEZ REBRANDING<br>B REDRAWN ON ACAD<br>A RELEASED PER ECO |  | 131562 TG SR MS 20 Sep 18<br>3334 PFM MJT - 23 Jun 98<br>1743 CBH EMW - 27 Jun 96 |  | TOLERANCES UNLESS NOTED<br>DECIMALS ANGLES<br>.X .1 2"<br>.XX .03 FRAC<br>.XXX .010 |  |  |  | CUSTOMER INFORMATION<br>DWG, TF, OUTLINE, SS5500/8500/<br>12500KC, 284/286TSC NEMA MOTOR |  | DRAWING NUMBER<br>1125287 |  | REVISION<br>C                           |  |
| REF: -   |  |   |  | DOC. OWNER:   |  |  |  | PROJECT NO.  |  | PART/MATERIAL NO.         |  | SCALE SIZE SHEET<br>3/16" = 1" C 1 OF 1 |  |

4

3

2

1