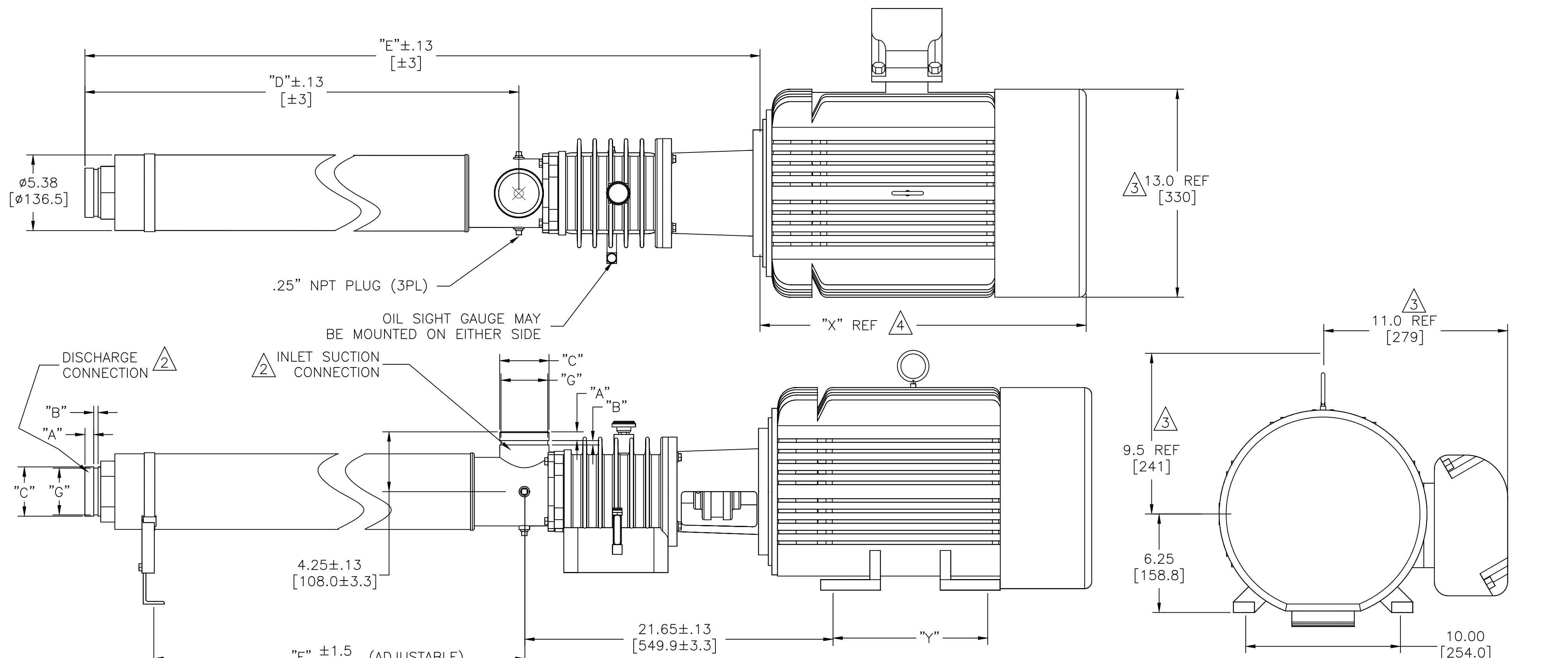


4

3

2

1



VICTAULIC® DIMENSIONS
STANDARD 3" CONNECTIONS

| ITEM | INCHES | MILLIMETERS |
|------|---|---------------------------------------|
| "A" | .625±.031 | 15.88±.78 |
| "B" | .312±.031 | 7.94±.78 |
| "C" | 3.500±.031 | 88.90±.78 |
| "G" | 3.344 ^{+.000} _{-.018} | 84.94 ^{+.00} _{-.46} |

| MODELS | | "D" | | "E" | | "F" | |
|----------|----------|--------|------|--------|------|--------|------|
| 60HZ | 50HZ | INCHES | [MM] | INCHES | [MM] | INCHES | [MM] |
| SS5512KB | | 32.24 | 818 | 49.38 | 1254 | 26.24 | 666 |
| SS5516KB | SS5516KB | 40.12 | 1019 | 57.26 | 1554 | 34.12 | 866 |
| SS5518KB | SS5518KB | 46.69 | 1185 | 63.83 | 1621 | 40.69 | 1033 |
| SS5522KB | SS5522KB | 54.58 | 1386 | 71.72 | 1821 | 48.58 | 1233 |
| | SS5524KB | 58.53 | 1486 | 75.67 | 1922 | 52.53 | 1334 |
| | SS5527KB | 64.44 | 1636 | 81.58 | 2072 | 58.44 | 1484 |
| | SS5530KB | 70.35 | 1786 | 87.49 | 2222 | 64.35 | 1634 |
| SS8510KB | | 28.30 | 718 | 45.44 | 1154 | 22.30 | 566 |
| SS8512KB | | 32.24 | 818 | 49.38 | 1254 | 26.24 | 666 |
| SS8516KB | SS8516KB | 40.12 | 1019 | 57.26 | 1454 | 34.12 | 866 |

| MODELS | | "D" | | "E" | | "F" | |
|-----------|-----------|--------|------|--------|------|--------|------|
| 60HZ | 50HZ | INCHES | [MM] | INCHES | [MM] | INCHES | [MM] |
| | SS8520KB | 50.63 | 1286 | 67.77 | 1721 | 44.63 | 1133 |
| | SS8522KB | 54.58 | 1386 | 71.72 | 1821 | 48.58 | 1233 |
| SS12508KB | | 32.90 | 835 | 50.04 | 1271 | 26.90 | 683 |
| | SS12509KB | 36.00 | 914 | 53.14 | 1349 | 30.00 | 762 |

| MOTOR SIZE | "X" | | "Y" | |
|------------|--------|------|--------|------|
| | INCHES | [MM] | INCHES | [MM] |
| 254TC | 25.88 | 657 | 8.25 | 210 |
| 256TC | 26.88 | 682 | 10.00 | 254 |

- NOTES:
- DIMENSIONS ARE IN INCHES [MILLIMETERS].
 - PUMP INLET AND DISCHARGE CONNECTIONS MATE WITH 3-INCH VICTAULIC TYPE CLAMPED UNIONS. PUMP INLET MAY BE ROTATED IN 90° INCREMENTS.
 - TEFC MARATHON 254TC MOTOR SHOWN, MOTOR DIMENSIONS WILL VARY WITH MANUFACTURER AND ARE SHOWN FOR REFERENCE ONLY.
 - PUMP AND MOTOR ADAPTER WILL ACCEPT NEMA 254/256TC FRAMES 3450 RPM ELECTRIC MOTOR AND A WOODS FLEXIBLE COUPLING WITH THE END OF THE PUMP DRIVE SHAFT. THE 254/256TC FRAME MOTORS MUST HAVE A BASE AND BE RIGIDLY MOUNTED. MOUNTING OF BEARING FRAME BASE IN A STRAIN-FREE MANNER IS OPTIONAL WITH 254/256TC FRAME MOTORS.
 - SEE PUMP INSTRUCTIONS P/N 1125314 FOR ADDITIONAL INFORMATION ON INSTALLATION, STARTUP, AND MAINTENANCE.

| REV | DESCRIPTION | ECO | DWN | APPR | DATE | |
|-----|------------------|--------|-----|------|------|-----------|
| D | SUEZ REBRANDING | 131562 | TG | SR | MS | 20 Sep 18 |
| C | 21.65 WAS 22.41 | 4233 | PDT | MJT | - | 24 Aug 99 |
| B | REDRAWN ON ACAD | 3334 | PFM | MJT | - | 23 Jun 98 |
| A | RELEASED PER ECO | 1743 | CBH | EMW | - | 27 Jun 96 |



CUSTOMER INFORMATION

DWG, TF, OUTLINE, SS5500/8500/
12500KB, 254/256TC NEMA MOTORS

| DRAWING NUMBER | | REVISION |
|----------------|-------------------|------------|
| 1125286 | | D |
| PROJECT NO. | PART/MATERIAL NO. | SCALE |
| | | 3/16" = 1" |
| | | SIZE |
| | | C |
| | | SHEET |
| | | 1 OF 1 |

4

3

2

1

FILE LOCATION: C:\pumpwater\outlinesystems\1611000\011125286.dwg