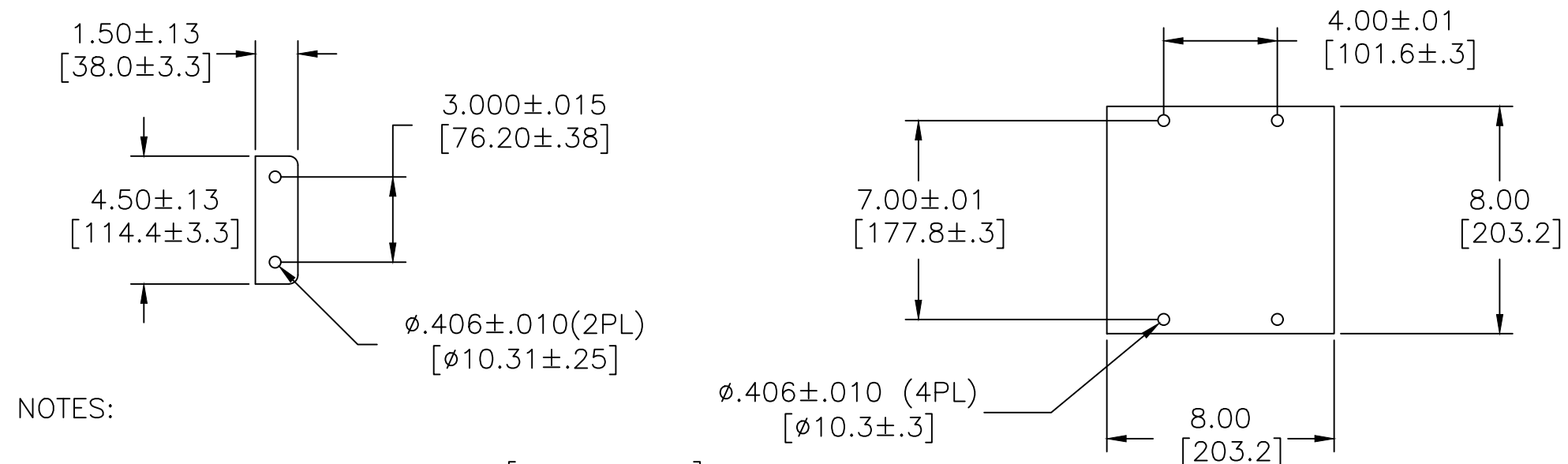
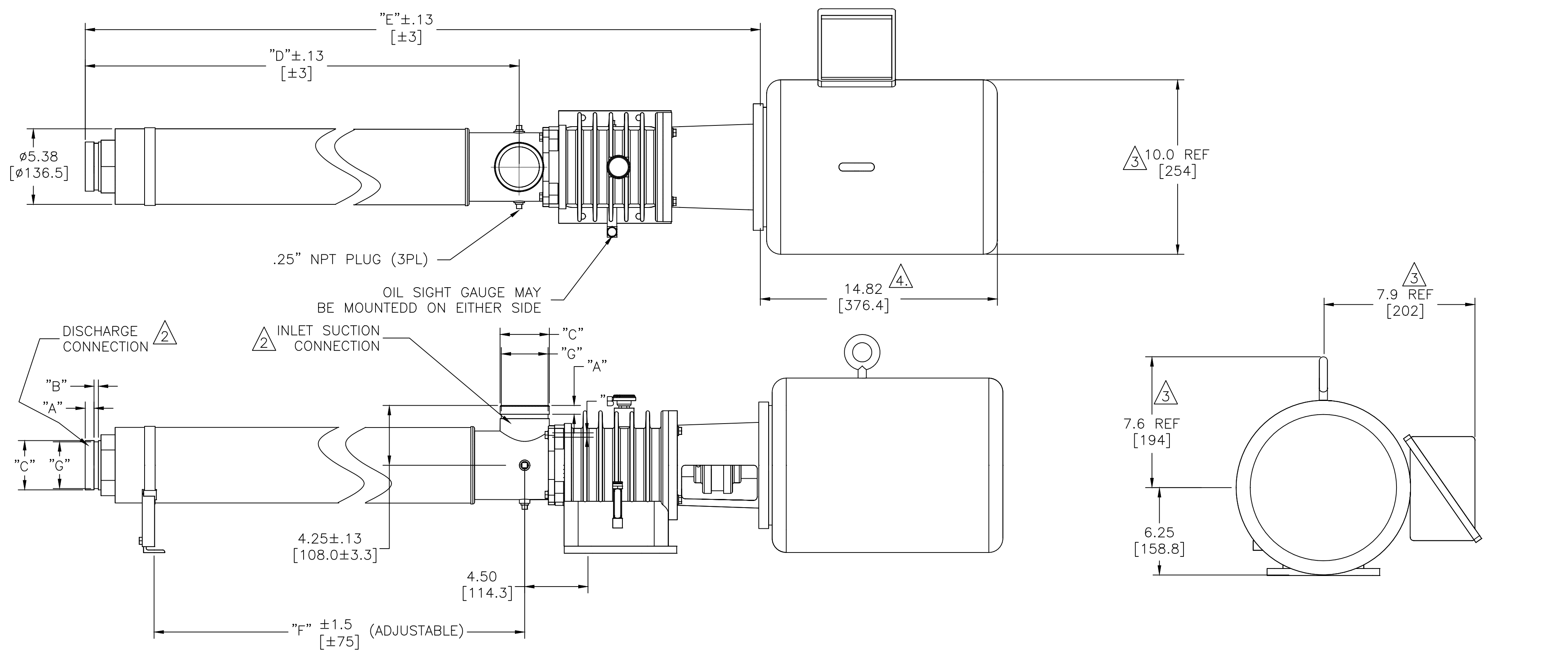


4

3

2

1



- NOTES:
- DIMENSIONS ARE IN INCHES [MILLIMETERS].
  - PUMP INLET AND DISCHARGE CONNECTIONS MATE WITH 3-INCH VICTAULIC TYPE CLAMPED UNIONS. PUMP INLET MAY BE ROTATED IN 90° INCREMENTS.
  - TEFC MARATHON MOTOR SHOWN, MOTOR DIMENSIONS WILL VARY WITH MANUFACTURER AND ARE SHOWN FOR REFERENCE ONLY.
  - PUMP AND MOTOR ADAPTER WILL ACCEPT NEMA 215TSC FRAME 3450 RPM ELECTRIC MOTOR AND A WOODS FLEXIBLE COUPLING WITH THE END OF THE PUMP DRIVE SHAFT. THE 215TSC FRAME BASE IN A STRAIN-FREE MANNER IS OPTIONAL WITH 215TSC FRAME MOTORS.
  - SEE PUMP INSTRUCTIONS P/N 1125314 FOR ADDITIONAL INFORMATION ON INSTALLATION, STARTUP, AND MAINTENANCE.

MODELS	"D"		"E"		"F"	
	INCHES	[MM]	INCHES	[MM]	INCHES	[MM]
60HZ						
SS5512KA	32.24	818	49.38	1254	26.24	666
SS8510KA	28.30	718	45.44	1154	22.30	566

VICTAULIC® DIMENSIONS STANDARD 3" CONNECTIONS		
ITEM	INCHES	MILLIMETERS
"A"	.625±.031	15.88±.78
"B"	.312±.031	7.94±.78
"C"	3.500±.031	88.90±.78
"G"	3.344 <sup>+.000</sup> <sub>-.018</sub>	84.94 <sup>+.00</sup> <sub>-.46</sub>

REV	DESCRIPTION	ECO	DWN	APPR	DATE
D	VEOLIA REBRANDING	140586	HP	NL	09 Jan 23
C	SUEZ REBRANDING	131562	TG	SR	20 Sep 18
B	REDRAWN ON ACAD	3334	PFM	MJT	23 Jun 98
A	RELEASED PER ECO	1743	CBH	EMW	27 Jun 96



CUSTOMER INFORMATION

DWG, TF, OUTLINE  
SS5500/8500KA, 215TSC NEMA MOTOR

DRAWING NUMBER		REVISION
1125285		D
PROJECT NO.	PART/MATERIAL NO.	SCALE
		3/16" = 1"
		SIZE
		C
		SHEET
		1 OF 1

4

3

2

1