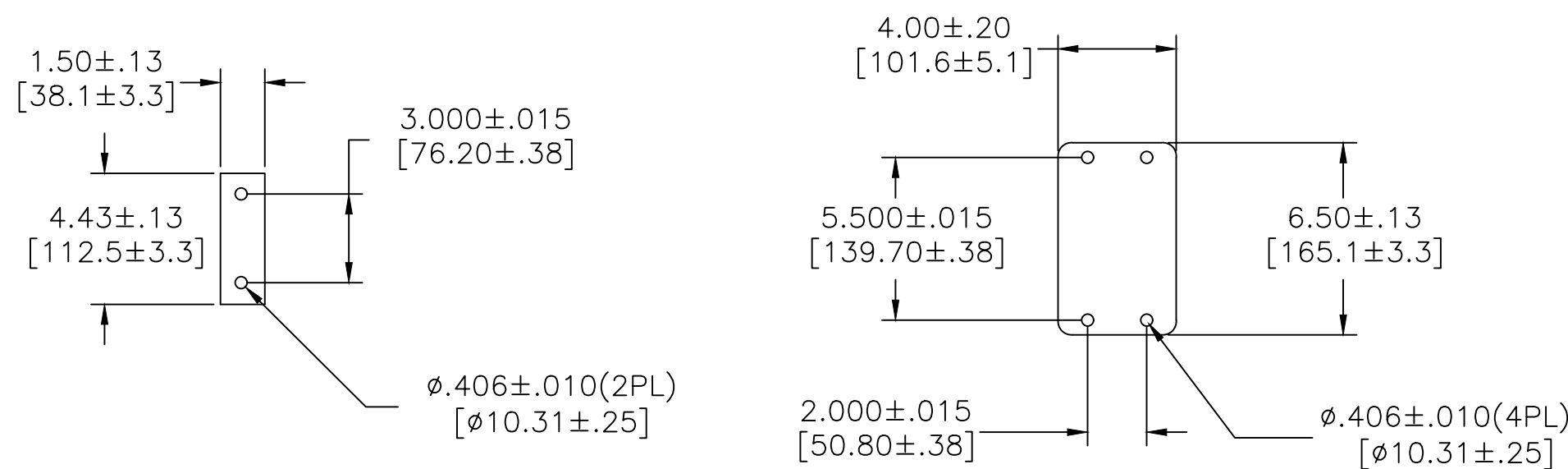
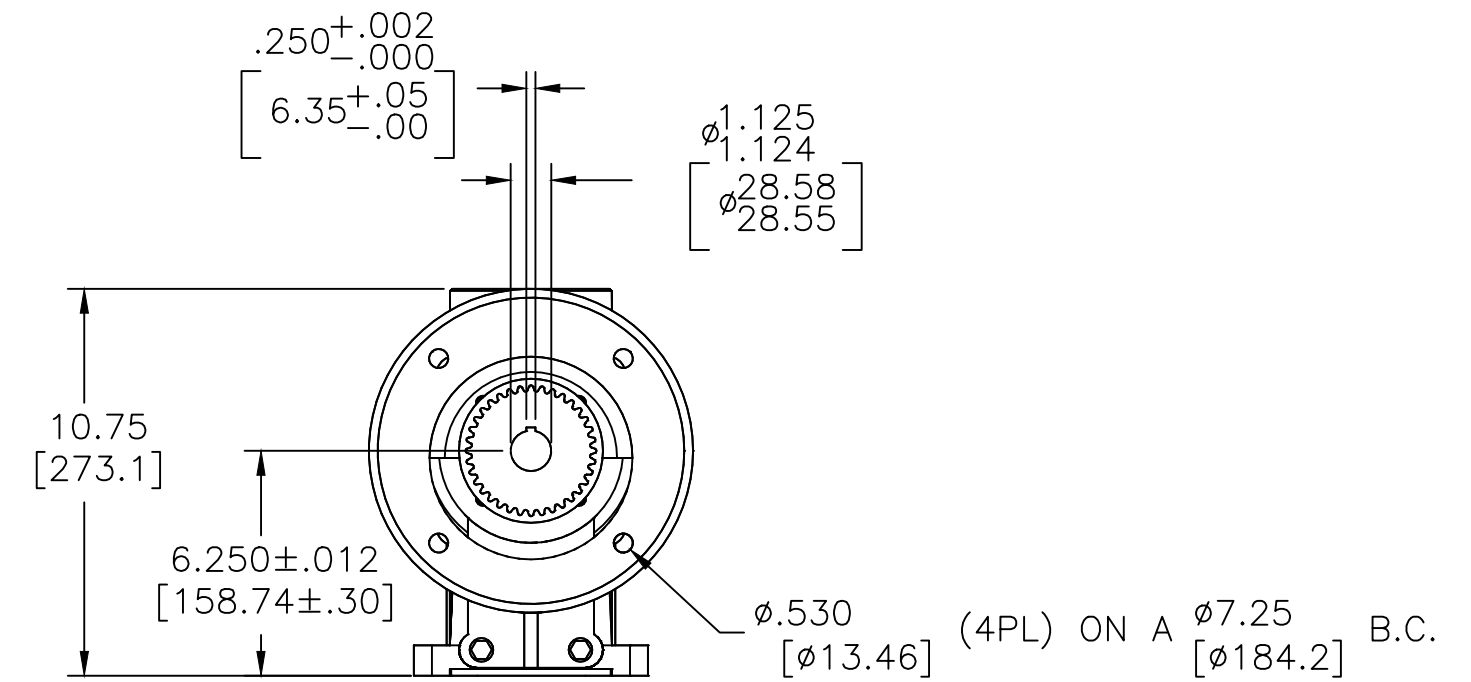
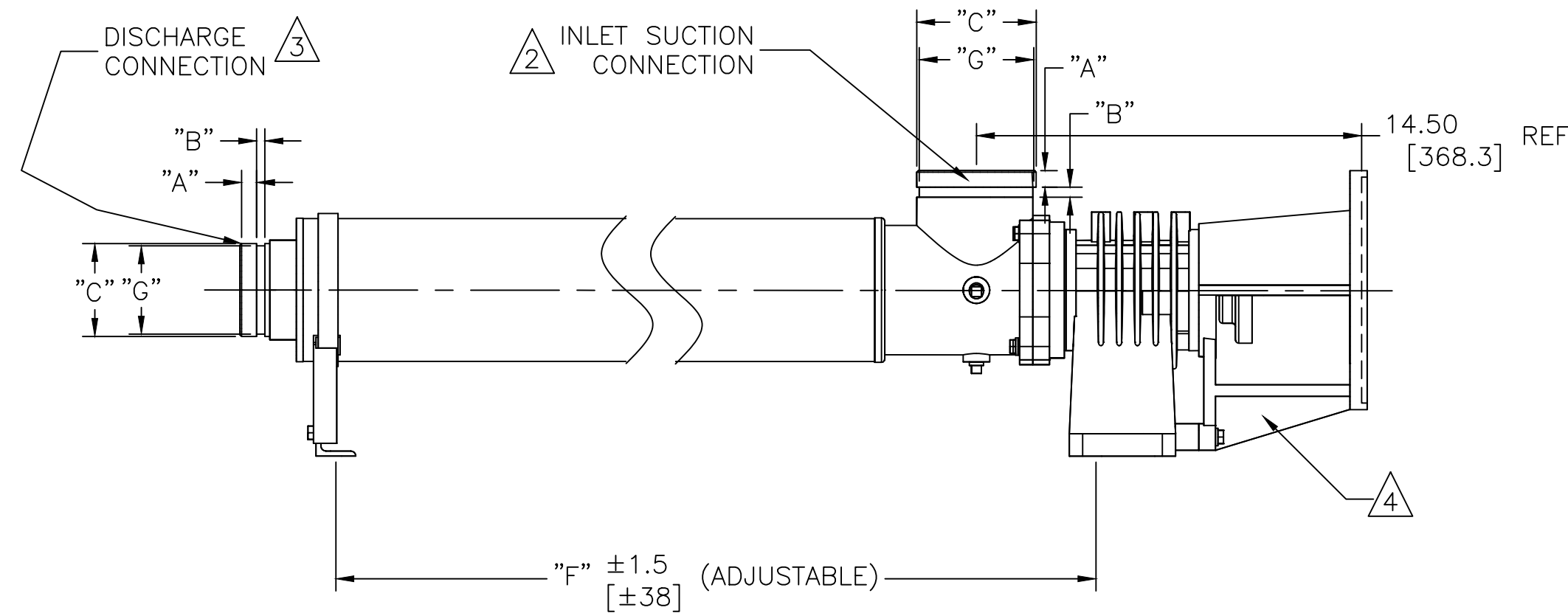
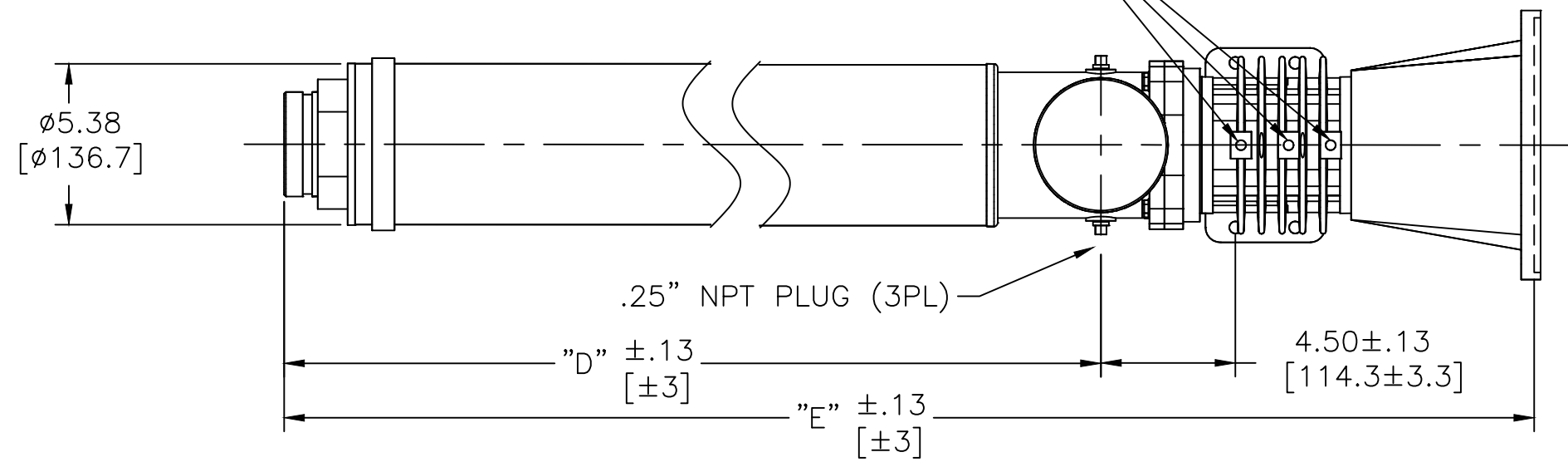


5 GREASE PORTS;
 LUBE CENTER FOR HORIZONTAL MOUNTING
 LUBE LEFT AND CENTER FOR VERTICAL MOUNTING, MOTOR DOWN
 LUBE RIGHT AND CENTER FOR VERTICAL MOUNTING, MOTOR UP



VICTAULIC® DIMENSIONS STANDARD 3" DISCHARGE CONNECTIONS			VICTAULIC® DIMENSIONS STANDARD 4" INLET CONNECTION		
ITEM	INCHES	MILLIMETERS	ITEM	INCHES	MILLIMETERS
"A"	.625±.031	15.88±.78	"A"	.625±.031	15.88±.78
"B"	.375±.031	9.53±.78	"B"	.375±.031	9.53±.78
"C"	3.500 ^{+.045} _{-.031}	88.90 ^{+.114} _{-.78}	"C"	4.500 ^{+.063} _{-.031}	114.30 ^{+.160} _{-.78}
"G"	3.334 ^{+.000} _{-.020}	84.68 ^{+.00} _{-.51}	"G"	4.334 ^{+.000} _{-.020}	110.08 ^{+.00} _{-.51}

	MODELS	"D"		"E"		"F"	
		INCHES	[MM]	INCHES	[MM]	INCHES	[MM]
60HZ	50HZ	16.08	408	30.79	782	NO SUPPORT	
SS24002D	SS24002D	20.38	517	35.09	891	20.00	508
SS24003D	SS24003D	24.68	626	39.39	1000	24.25	616

NOTES:

- DIMENSIONS ARE IN INCHES [MILLIMETERS].
- PUMP INLET CONNECTIONS MATE WITH 4-INCH VICTAULIC TYPE CLAMPED UNIONS. PUMP INLET MAY BE ROTATED IN 90° INCREMENTS.
- PUMP DISCHARGE CONNECTIONS MATE WITH 3-INCH VICTAULIC TYPE CLAMPED UNIONS.
- PUMP AND MOTOR ADAPTER WILL ACCEPT NEMA 213TC, 215TC, 254TC, 256TC FRAME ELECTRIC MOTORS AND A WOODS FLEXIBLE COUPLING. FLANGE IS TO BE MOUNTED FLUSH WITH THE END OF THE PUMP SHAFT, FOR BELT DRIVE PUMPS, THE BEARING SHAFT EXTENDS 1.75" BEYOND THE END OF THE BEARING FRAME HOUSING WITH MOTOR ADAPTER REMOVED.
- SEE PUMP INSTRUCTIONS P/N 1116531 FOR ADDITIONAL INFORMATION ON INSTALLATION, STARTUP, AND MAINTENANCE.

C SUEZ REBRANDING		131562	TG	SR	MS	20 Sep 18	TOLERANCES UNLESS NOTED DECIMALS ANGLES .X .1 2" XX .03 FRAC		CUSTOMER INFORMATION		DWG, TF, OUTLINE		DRAWING NUMBER		REVISION		
B REDRAWN ON ACAD		3334	PFM	BJW	-	16 Feb 98	SUEZ		SS24000 "D" SERIES PUMP		1122833		C				
A ADD Ø.406		-	RLH	-	-	04 May 94					REF.:-		DOC. OWNER:				
REV DESCRIPTION		ECO	DWN	APPR	APPR	DATE					PROJECT NO.		PART/MATERIAL NO.		SCALE	SIZE	SHEET
											3/16" = 1"		C		1 OF 1		