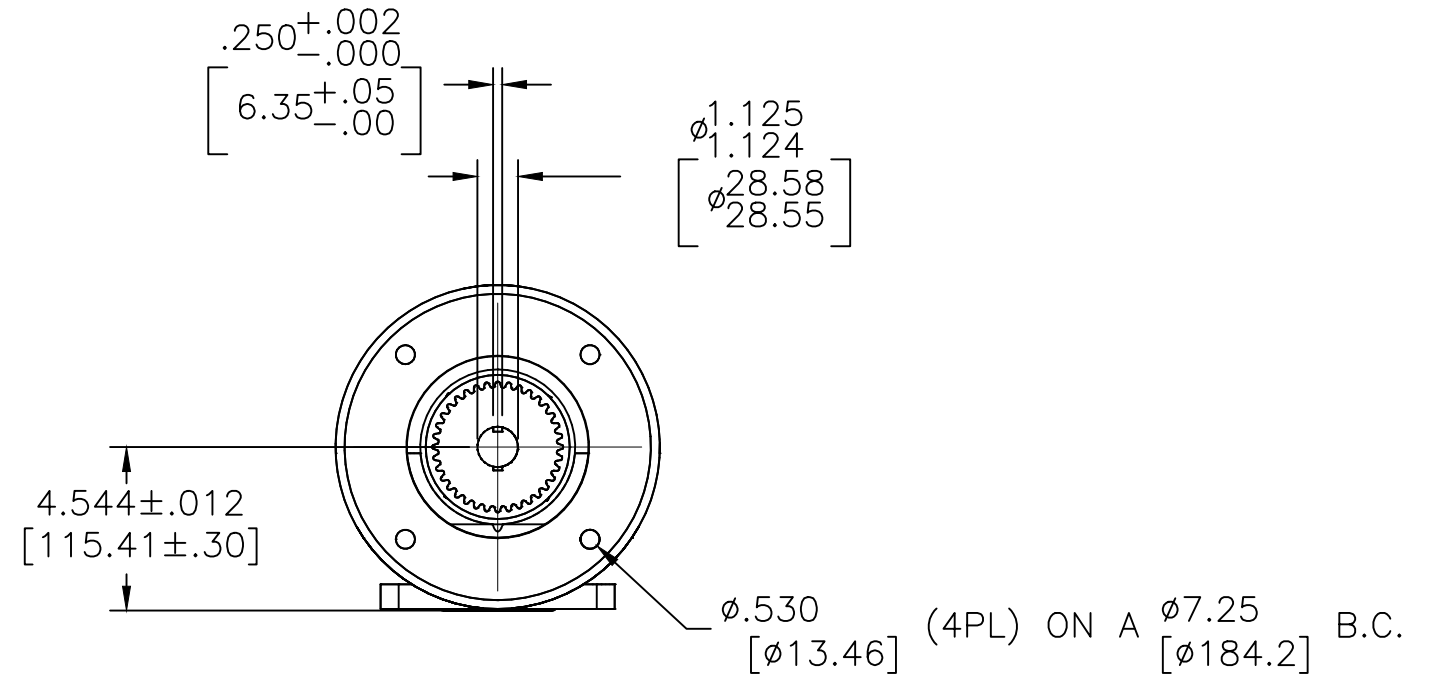
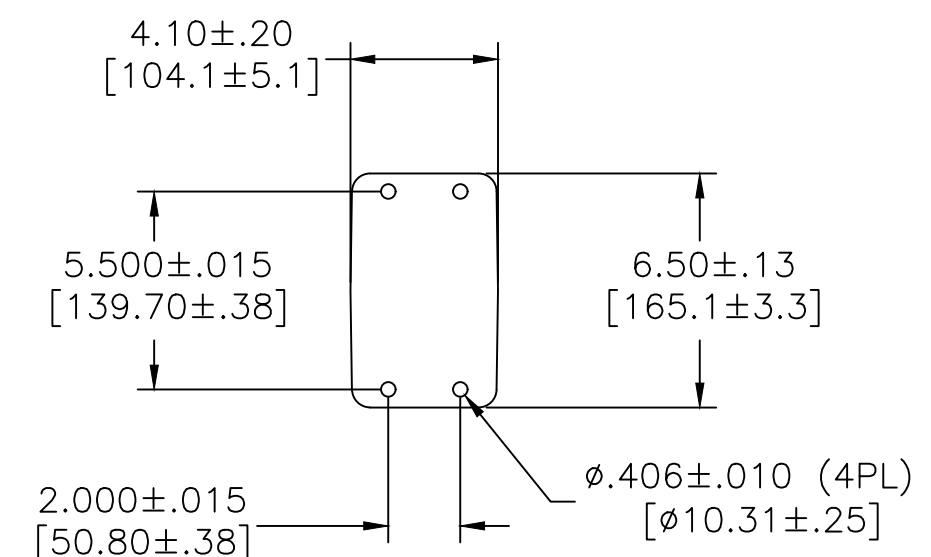
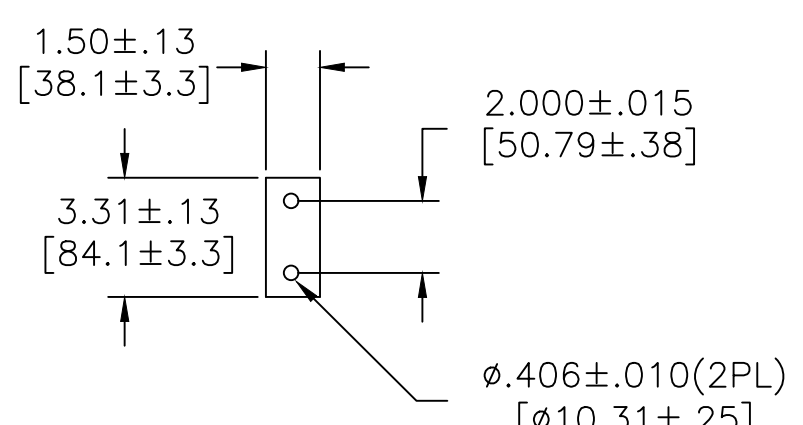
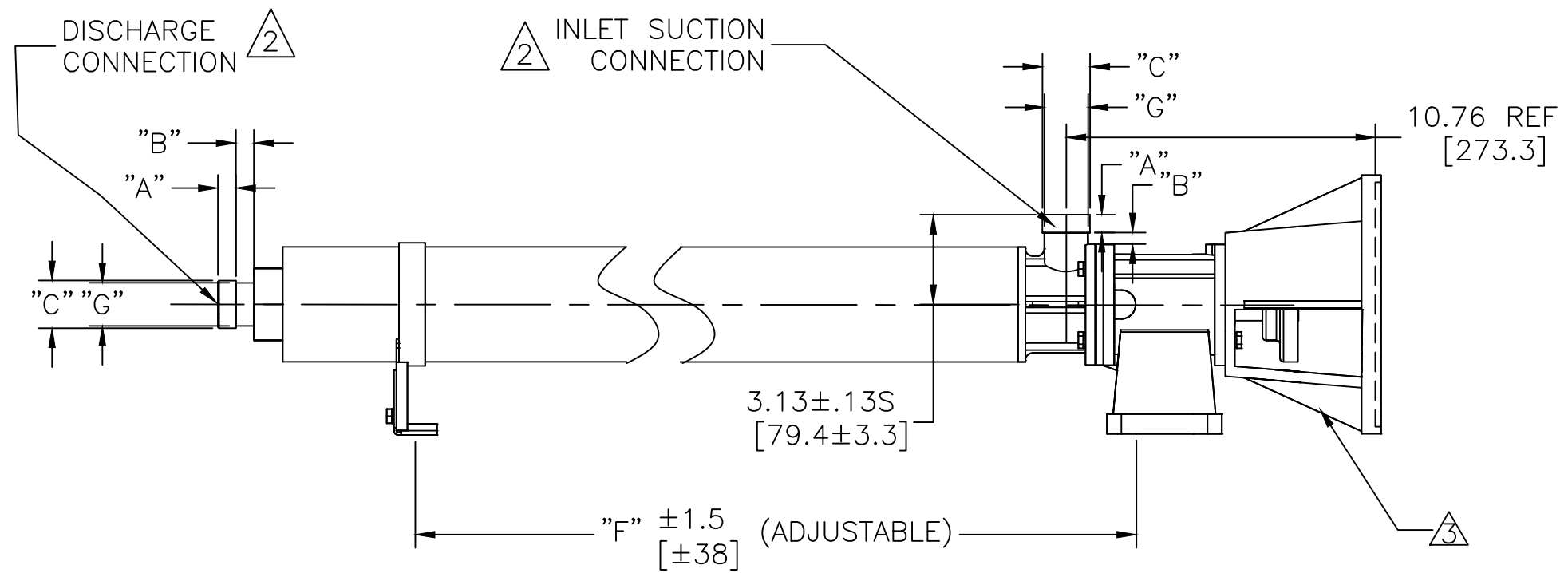
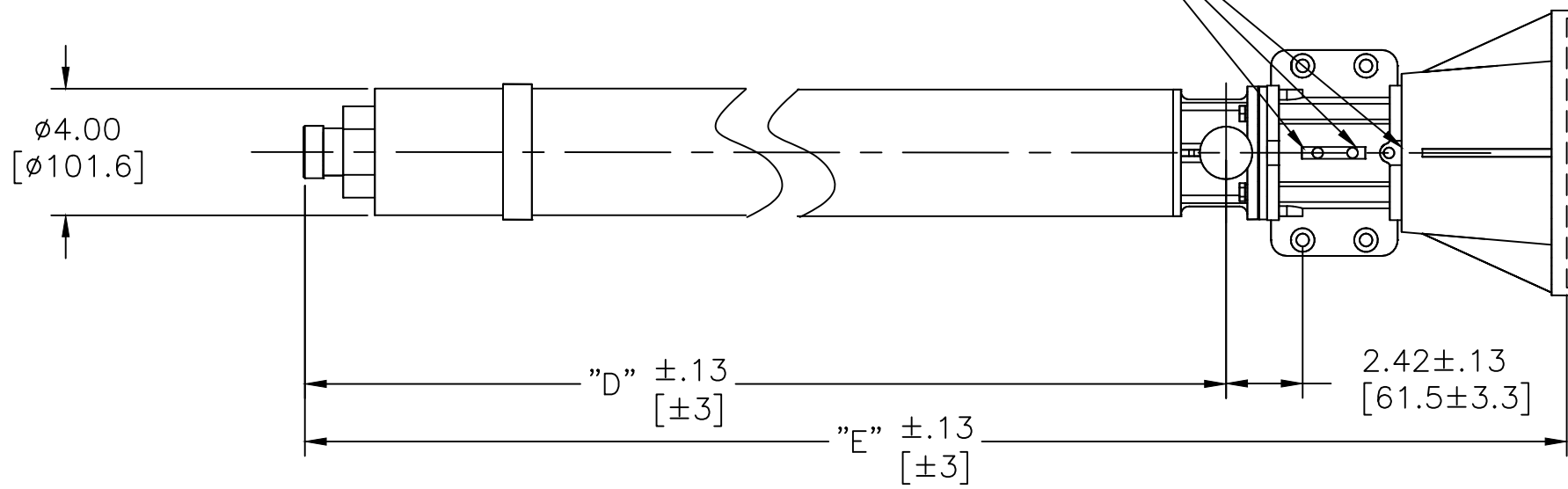


4 GREASE PORTS;
 LUBE CENTER FOR HORIZONTAL MOUNTING
 LUBE LEFT AND CENTER FOR VERTICAL MOUNTING, MOTOR DOWN
 LUBE RIGHT AND CENTER FOR VERTICAL MOUNTING, MOTOR UP



VICTAULIC® DIMENSIONS STANDARD 1.25" INLET & DISCHARGE CONNECTIONS		
ITEM	INCHES	MILLIMETERS
"A"	.625±.031	15.88±.78
"B"	.312±.031	7.92±.78
"C"	1.660 ^{+.045} _{-.031}	48.16 ^{+.114} _{-.78}
"G"	1.535 ^{+.000} _{-.020}	39.00 ^{+.00} _{-.51}

MODELS		"D"		"E"		"F"	
60HZ	50HZ	INCHES	[MM]	INCHES	[MM]	INCHES	[MM]
	AS467G	61.87	1571	72.58	1844	59.6	1514
AS2517G		20.37	517	31.08	789	18.0	460
AS1623G/2523G		25.35	644	36.06	916	23.1	586
	AS1630G	31.16	791	41.87	1063	35.2	893
AS1634G/2534G	AS1634G/2534G	34.48	876	45.19	1148	31.3	796
AS1645G	AS1645G	43.61	1108	54.32	1380	40.5	1029
	AS1657G	53.57	1361	64.28	1633	51.3	1303

NOTES:

- DIMENSIONS ARE IN INCHES [MILLIMETERS].
- PUMP INLET AND DISCHARGE CONNECTIONS MATE WITH 1.25-INCH VICTAULIC TYPE CLAMPED UNIONS. PUMP INLET MAY BE ROTATED IN 90° INCREMENTS.
- PUMP AND MOTOR ADAPTER WILL ACCEPT NEMA 182TC, 184TC, FRAME 3450 RPM ELECTRIC MOTORS AND A WOODS FLEXIBLE COUPLING. FOR 182TC AND 184TC FRAME MOTORS THE WOODS FLANGE IS TO BE FLUSH WITH END OF PUMP DRIVE SHAFT
- SEE PUMP INSTRUCTIONS P/N 1123174 FOR ADDITIONAL INFORMATION ON INSTALLATION, STARTUP, AND MAINTENANCE.

E	VEOLIA REBRANDING	140586	HP	NL	NL	09 Jan 23	TOLERANCES UNLESS NOTED
D	SUEZ REBRANDING	131562	TG	SR	MS	20 Sep 18	DECIMALS ANGLES
C	REDRAWN ON ACAD	3334	RLH	BJW	-	05 Mar 98	.X .1 2"
B	ADD MODELS 1630,1657,467	1094	RLH	WRM	-	28 Apr 94	.XX .03 .XXX .010
A	INITIAL RELEASE	1260	-	-	-	-	
REV	DESCRIPTION	ECO	DWN	APPR	APPR	DATE	



CUSTOMER INFORMATION

DWG, TF, OUTLINE
 AS400/1600/2500 "G" SERIES PUMP

DRAWING NUMBER		REVISION
1122797		E
PROJECT NO.	PART/MATERIAL NO.	SHEET
		1 OF 1