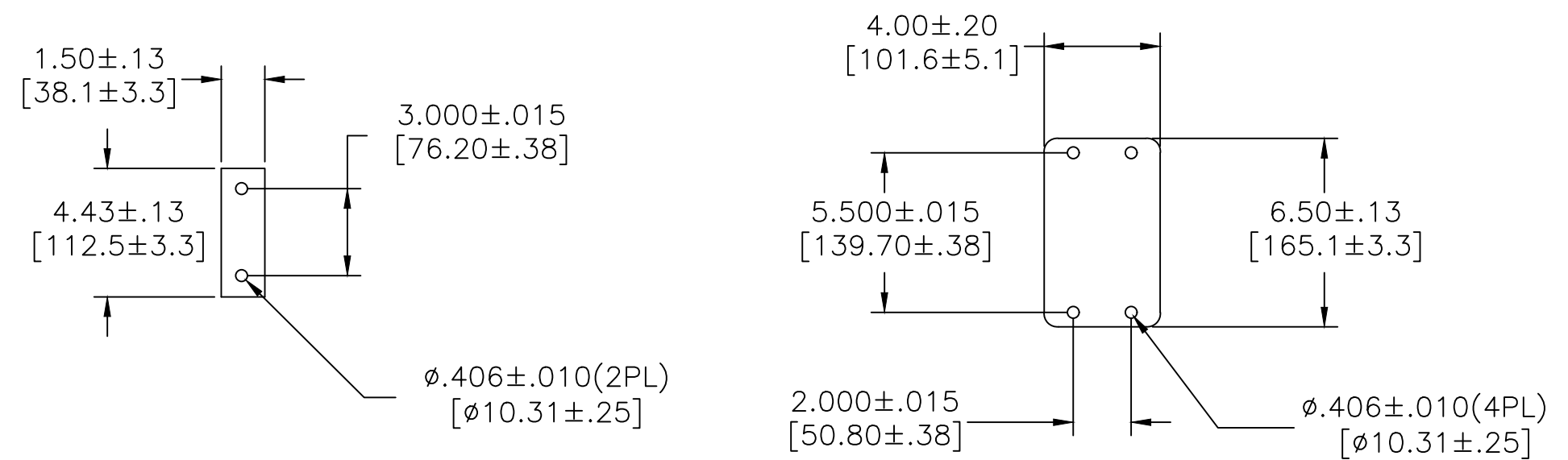
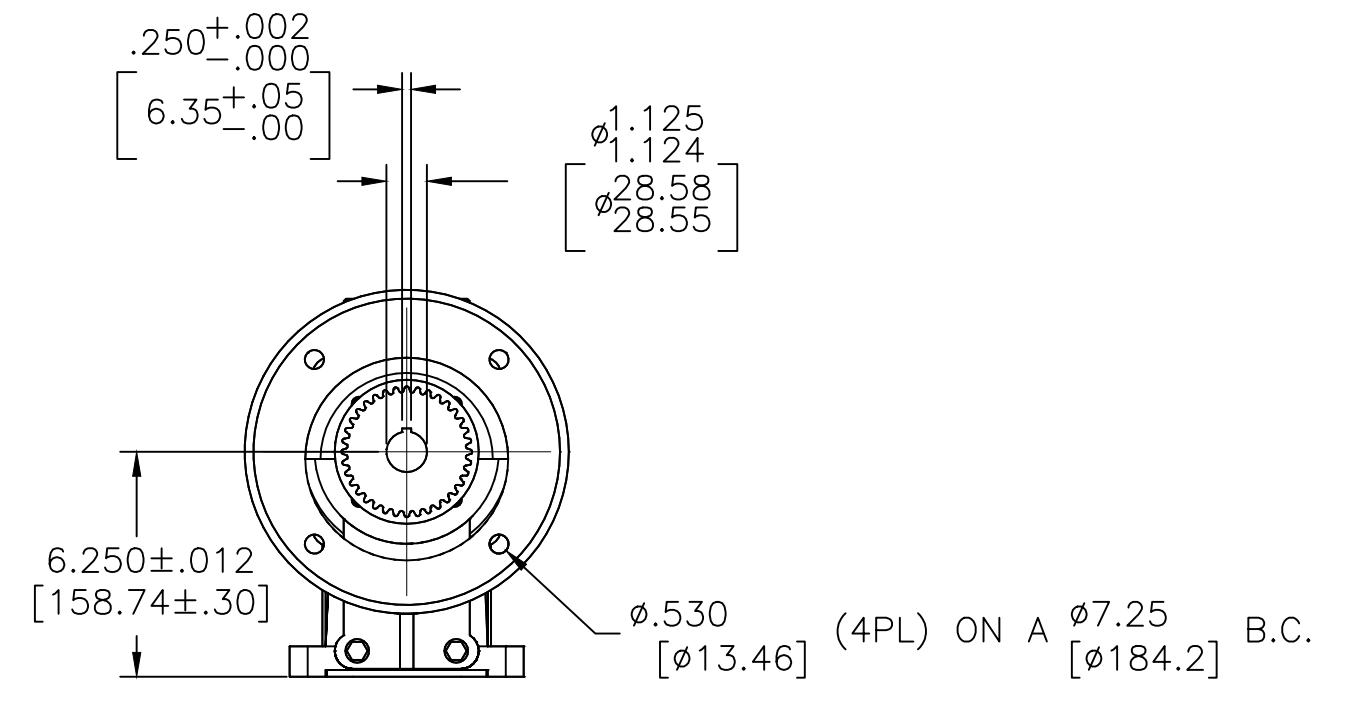
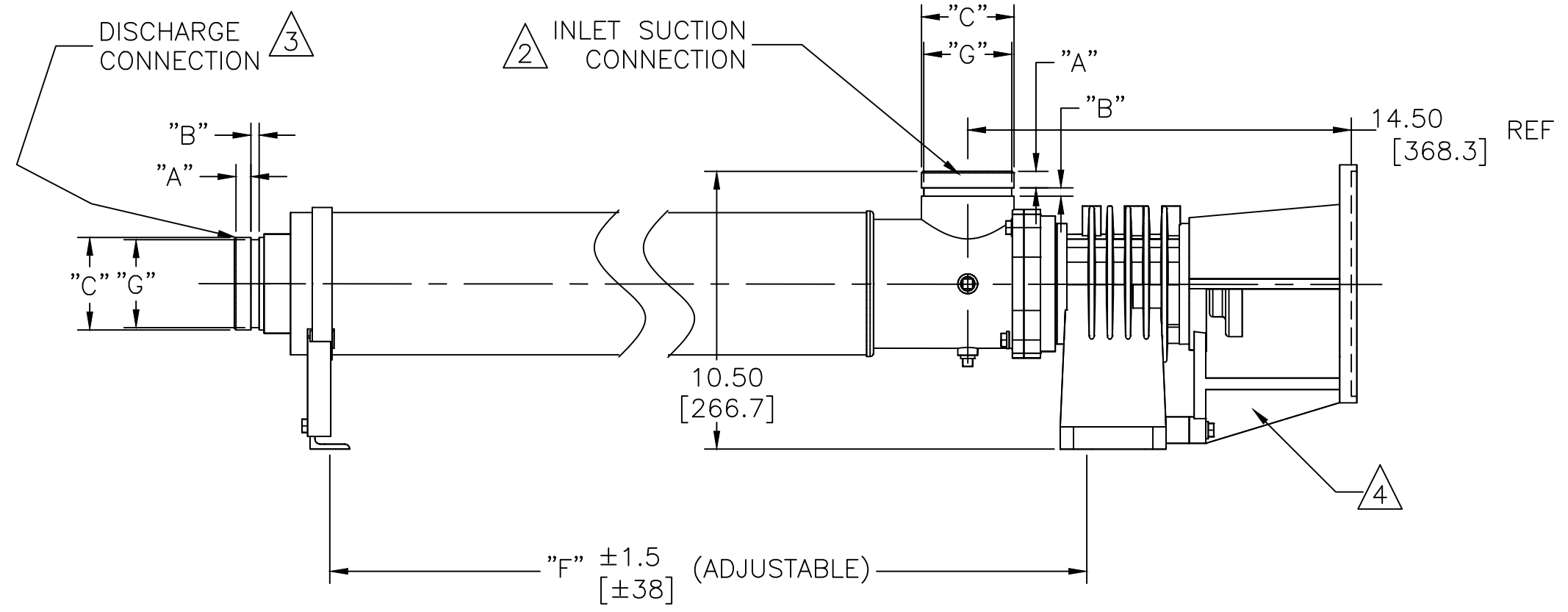
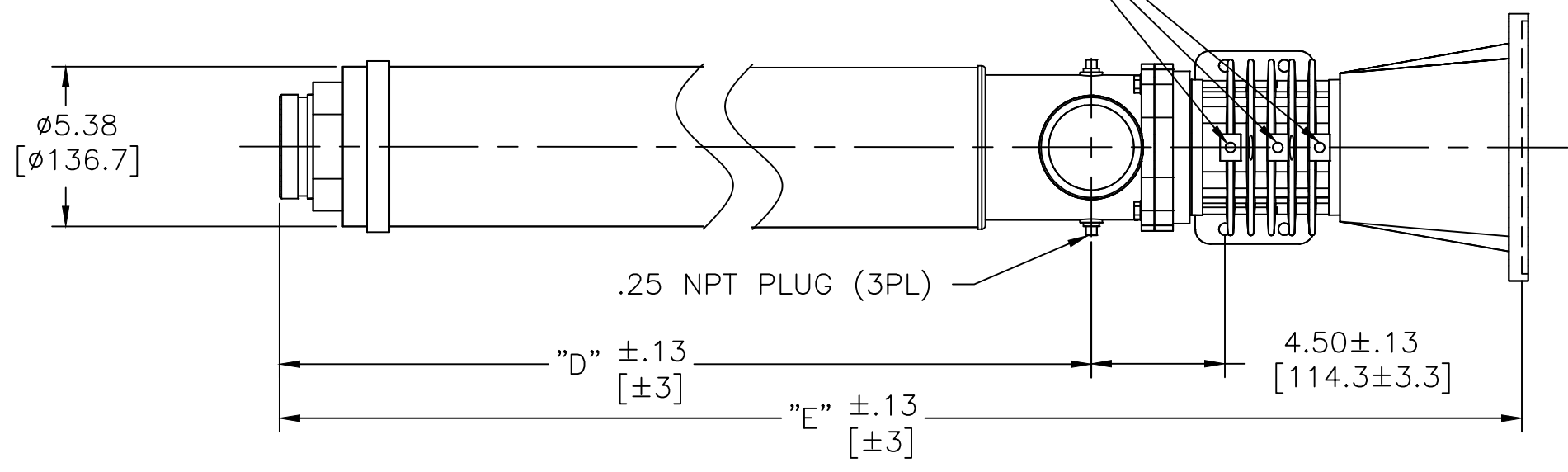


4 GREASE PORTS;  
 LUBE CENTER FOR HORIZONTAL MOUNTING  
 LUBE LEFT AND CENTER FOR VERTICAL MOUNTING, MOTOR DOWN  
 LUBE RIGHT AND CENTER FOR VERTICAL MOUNTING, MOTOR UP



VICTAULIC® DIMENSIONS STANDARD 3" CONNECTIONS		
ITEM	INCHES	MILLIMETERS
"A"	.625±.031	15.88±.78
"B"	.312±.031	7.94±.78
"C"	3.500±.031	88.90±.78
"G"	3.344 <sup>+.000</sup> <sub>-.018</sub>	84.94 <sup>+.00</sup> <sub>-.46</sub>

MODELS		"D"		"E"		"F"	
60HZ	50HZ	INCHES	[MM]	INCHES	[MM]	INCHES	[MM]
SS5508D/8508D	SS5508D	24.35	618	38.85	987	24.0	609
	SS5512D/8512D	32.24	818	46.74	1187	32.0	812
	SS8506D	20.40	518	34.90	886	20.0	508
	SS12503D	17.73	450	32.23	819	17.2	437
	SS12504D	20.78	527	35.28	896	20.2	514
	SS12506D	26.87	682	41.37	1051	26.2	666

- NOTES:
- DIMENSIONS ARE IN INCHES [MILLIMETERS].
  - PUMP INLET AND DISCHARGE CONNECTIONS MATE WITH 3-INCH VICTAULIC TYPE CLAMPED UNIONS. PUMP INLET MAY BE ROTATED IN 90° INCREMENTS.
  - PUMP AND MOTOR ADAPTER WILL ACCEPT NEMA 213/215/254/256TC FRAME ELECTRIC MOTORS AND A WOODS FLEXIBLE COUPLING. THE FLANGE IS TO BE FLUSH WITH THE END OF THE PUMP SHAFT. FOR BELT DRIVE PUMPS THE BEARING FRAME SHAFT EXTENDS 1.75 INCH BEYOND THE END OF THE BEARING FRAME HOUSING WITH MOTOR ADAPTER REMOVED.
  - SEE PUMP INSTRUCTIONS P/N 1116531 FOR ADDITIONAL INFORMATION ON INSTALLATION, STARTUP, AND MAINTENANCE.

G SUEZ REBRANDING		131562	TG	SR	MS	20 Sep 18	TOLERANCES UNLESS NOTED		CUSTOMER INFORMATION	DWG, TF, OUTLINE	DRAWING NUMBER		REVISION	
F REDRAWN ON ACAD		3334	PFM	BJW	-	03Mar98	DECIMALS				ANGLES	1121042		G
E ADD/DELETE MODELS		-	MJO	WRM	-	14Feb92	.X .1				2"	REF.:-		
REV DESCRIPTION		ECO	DWN	APPR	APPR	DATE	.XX .03	FRAC	PROJECT NO.		PART/MATERIAL NO.	SCALE	SIZE	SHEET
							.XXX .010					3/16" = 1"	C	1 OF 1