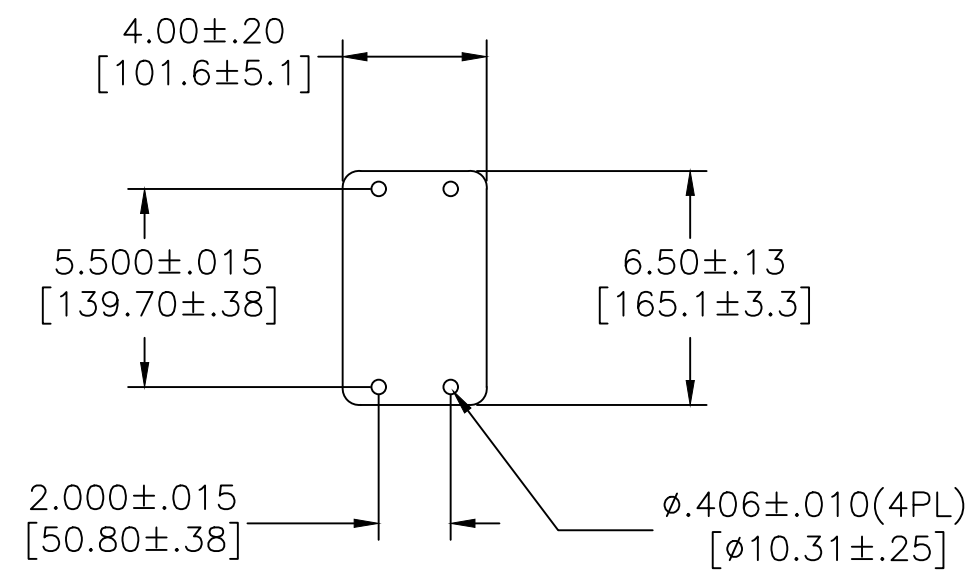
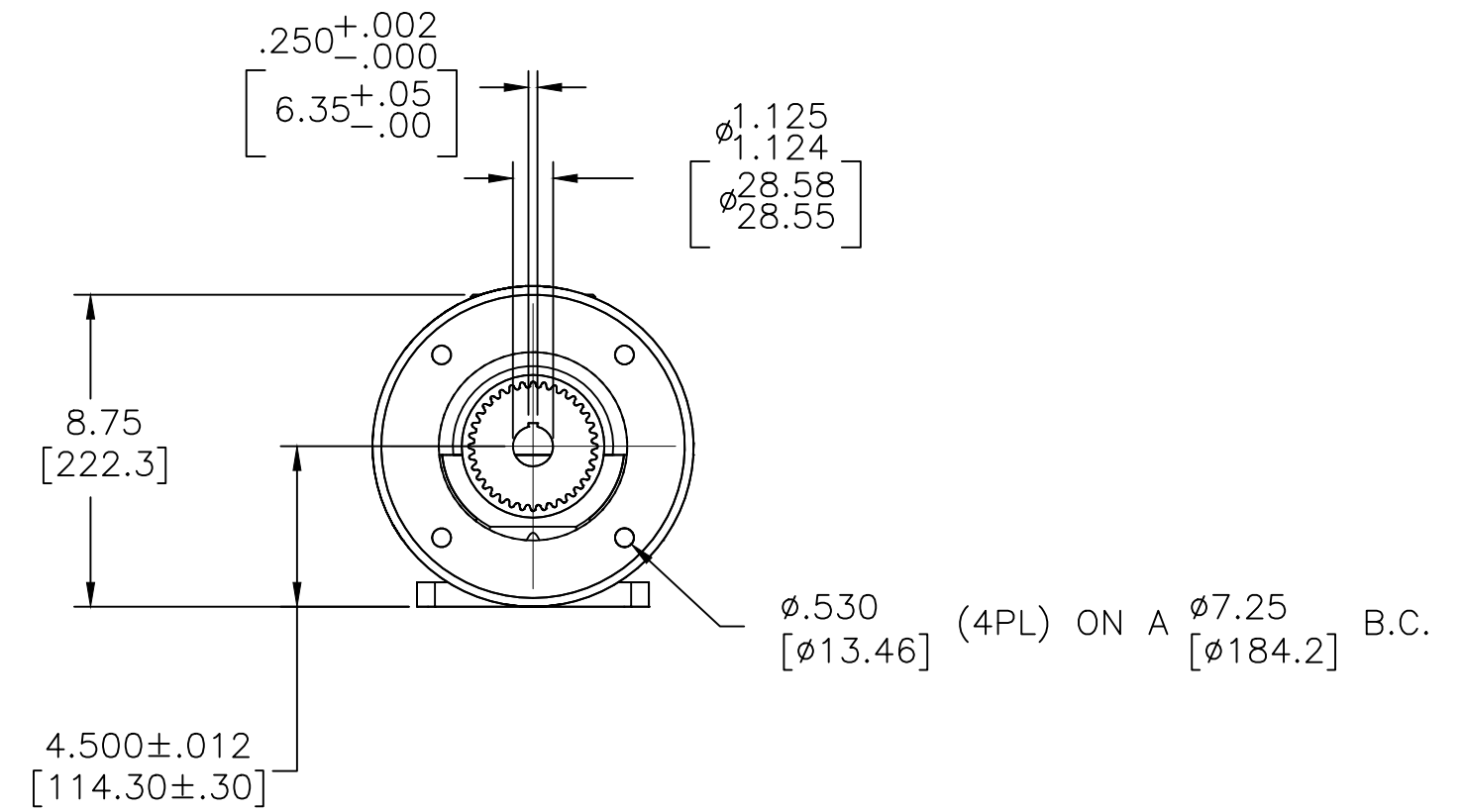
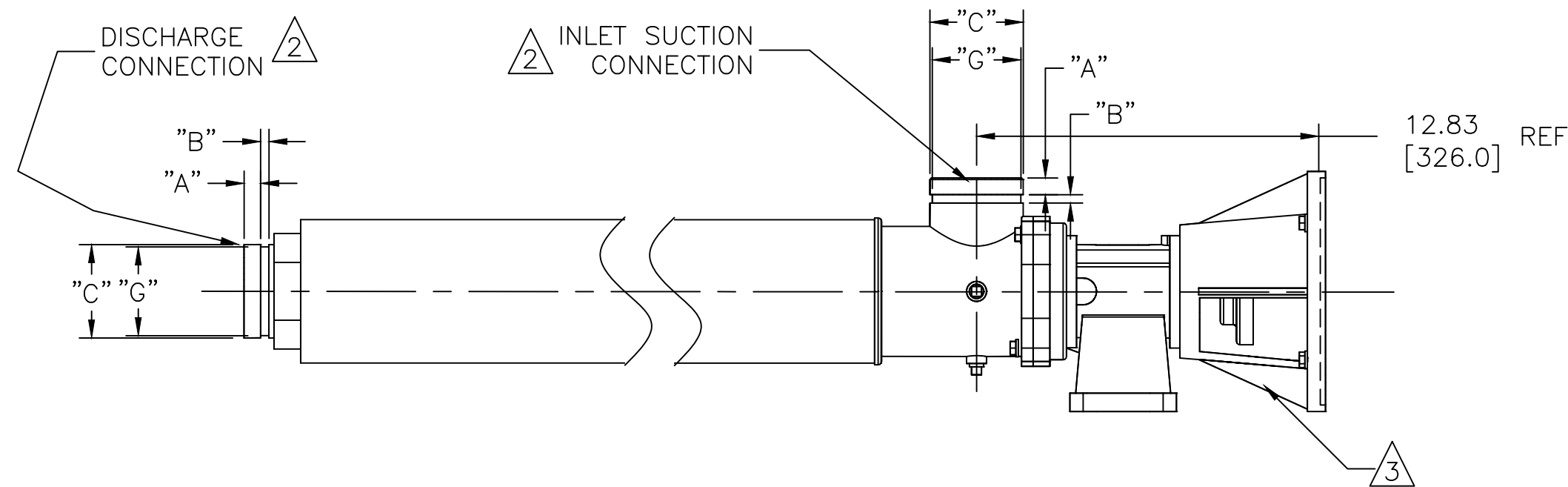
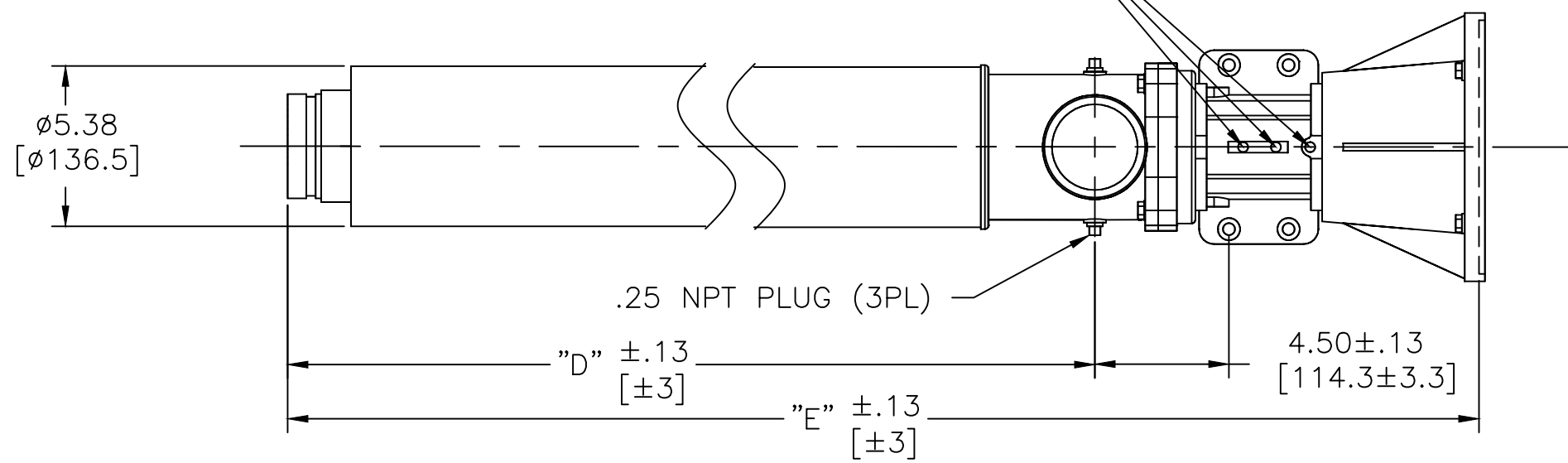


4 GREASE PORTS;
 LUBE CENTER FOR HORIZONTAL MOUNTING
 LUBE LEFT AND CENTER FOR VERTICAL MOUNTING, MOTOR DOWN
 LUBE RIGHT AND CENTER FOR VERTICAL MOUNTING, MOTOR UP



VICTAULIC® DIMENSIONS STANDARD 3" CONNECTIONS		
ITEM	INCHES	MILLIMETERS
"A"	.625±.031	15.88±.78
"B"	.312±.031	7.94±.78
"C"	3.500±.031	88.90±.78
"G"	3.344 ^{+.000} / _{-.018}	84.94 ^{+.00} / _{-.46}

MODELS		"D"		"E"	
		INCHES	[MM]	INCHES	[MM]
60HZ	50HZ				
SS5503G	SS5503G	14.49	368	27.32	694
SS5504G/8504G	SS5504G/8504G	16.46	418	29.29	744
SS5505G	SS5505G	18.43	468	31.26	794
SS5506G	SS5506G	20.40	518	33.23	844
	SS5508G	24.35	618	37.18	944
	SS8503G	14.49	368	27.32	694
	SS12502G	14.69	373	27.52	699

NOTES:

- DIMENSIONS ARE IN INCHES [MILLIMETERS].
- PUMP INLET AND DISCHARGE CONNECTIONS MATE WITH 3-INCH VICTAULIC TYPE CLAMPED UNIONS. PUMP INLET MAY BE ROTATED IN 90° INCREMENTS.
- PUMP AND MOTOR ADAPTER WILL ACCEPT NEMA 182TC, 184TC FRAME ELECTRIC MOTORS AND A WOODS FLEXIBLE COUPLING. THE FLANGE IS TO BE FLUSH WITH THE END OF THE PUMP SHAFT. FOR BELT DRIVE PUMPS THE BEARING FRAME SHAFT EXTENDS 1.75 INCH BEYOND THE END OF THE BEARING FRAME HOUSING WITH MOTOR ADAPTER REMOVED.
- SEE PUMP INSTRUCTIONS P/N 1116531 FOR ADDITIONAL INFORMATION ON INSTALLATION, STARTUP, AND MAINTENANCE.

REV	DESCRIPTION	ECO	DWN	APPR	DATE	
D	SUEZ REBRANDING	131562	TG	SR	MS	20 Sep 18
C	REDRAWN ON ACAD	3334	PFM	BJW		03 Mar 98
B	ADDED NOTE #4	-	PAS	WRM		20 Nov 84

TOLERANCES UNLESS NOTED
 DECIMALS ANGLES
 .X .1 2"
 .XX .03 FRAC
 .XXX .010

CUSTOMER INFORMATION

DWG, TF, OUTLINE
 SS5500/8500/12500 "G" SERIES PUMP

DRAWING NUMBER		REVISION
1121041		D
PROJECT NO.	PART/MATERIAL NO.	SCALE
		3/16" = 1"
		SIZE
		C
		SHEET
		1 OF 1