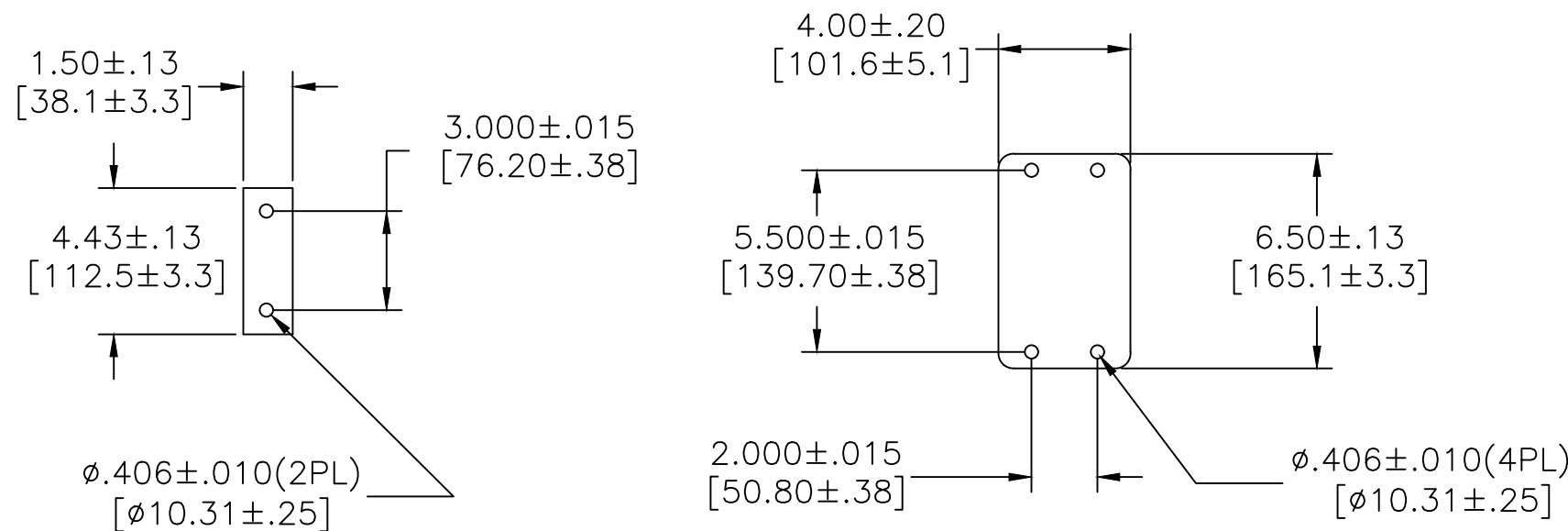
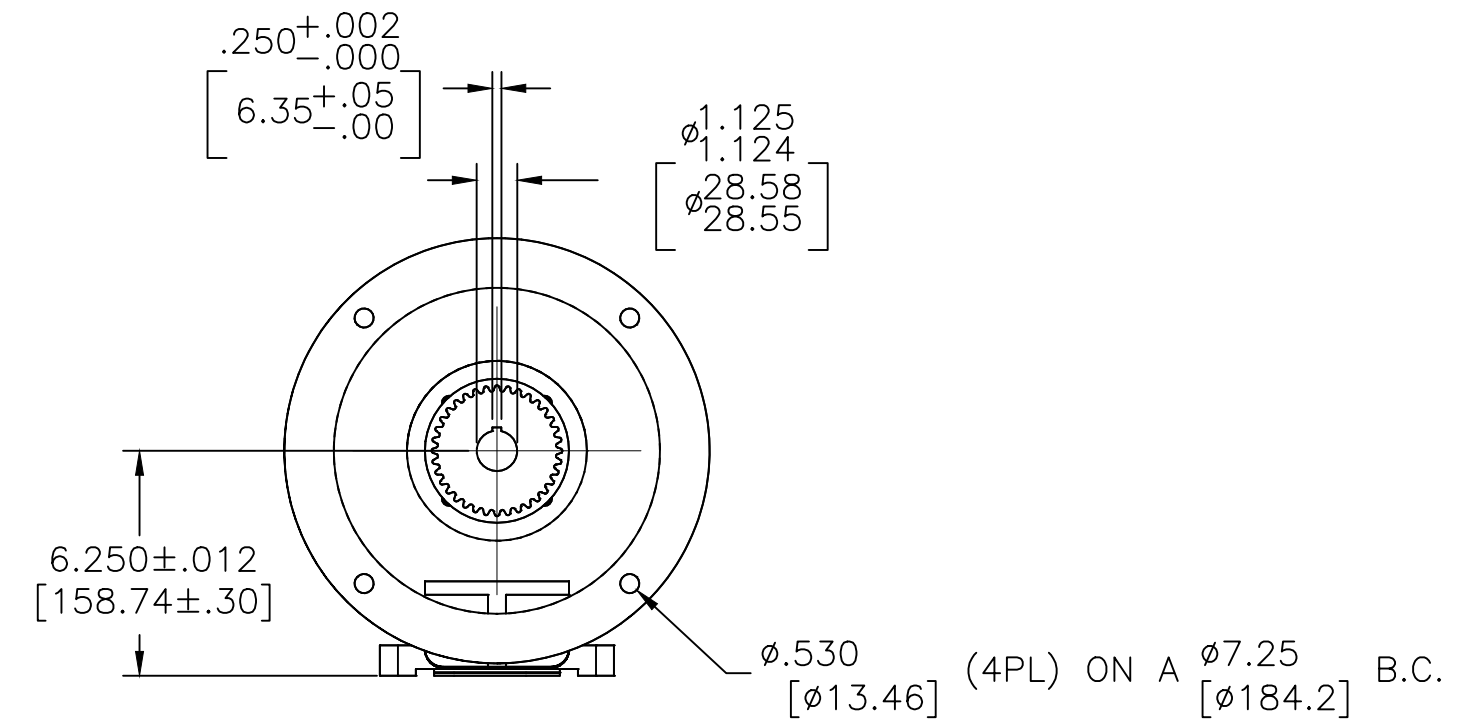
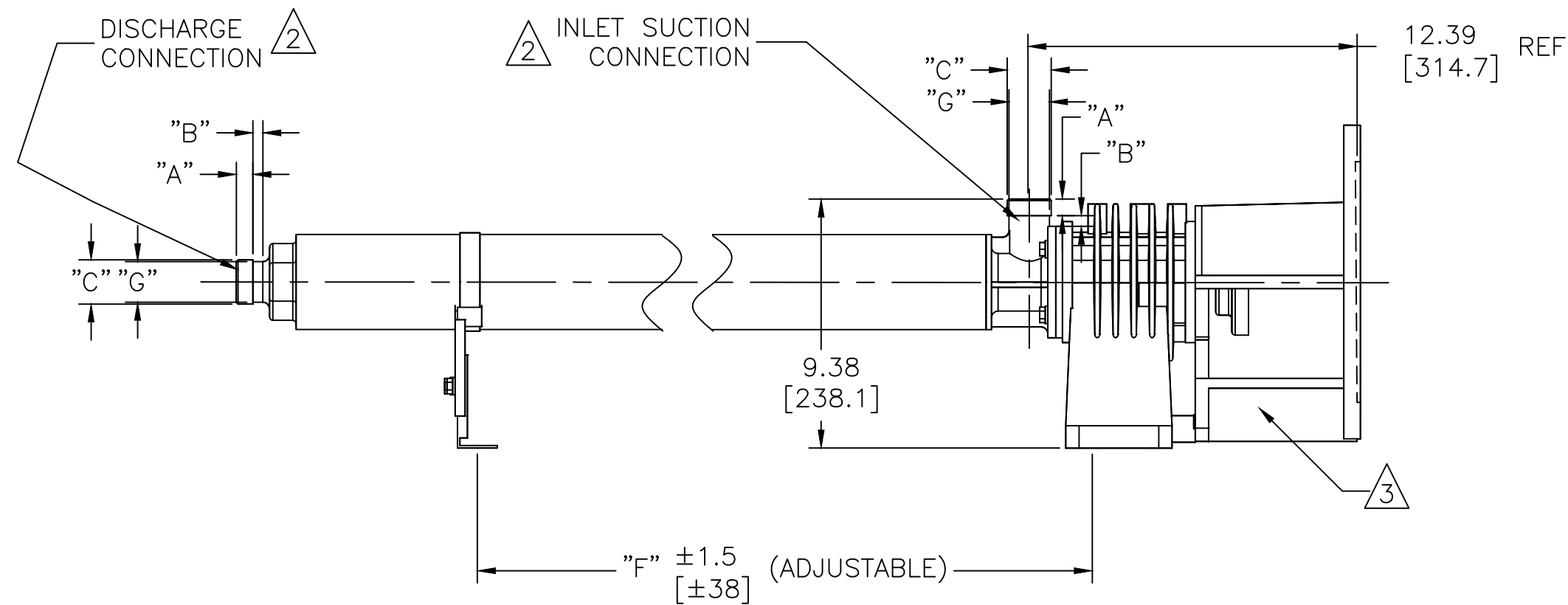
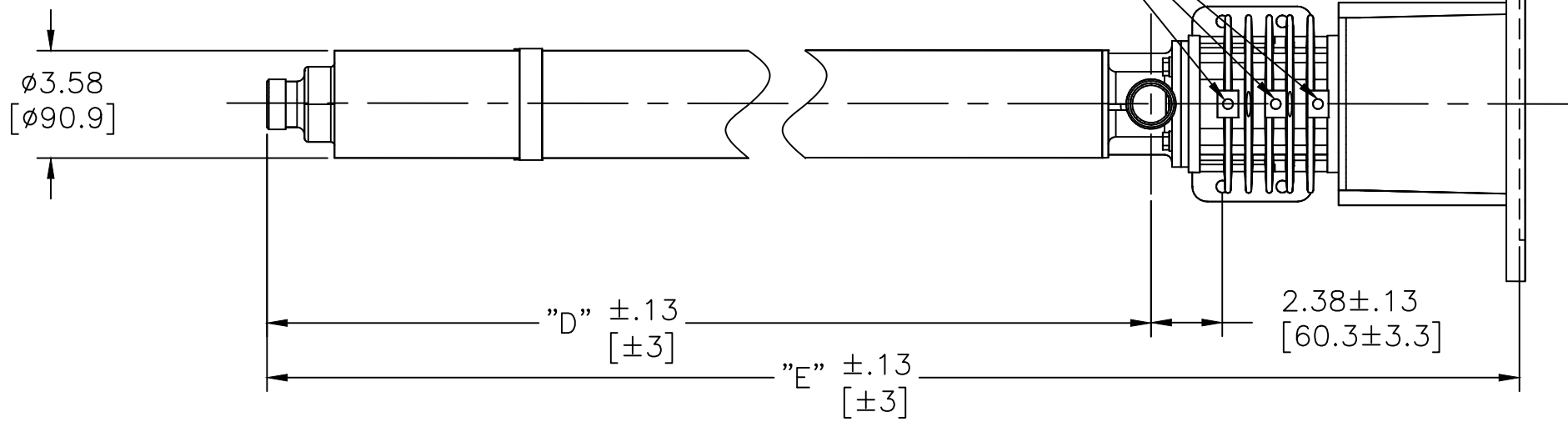


4 GREASE PORTS;
 LUBE CENTER FOR HORIZONTAL MOUNTING
 LUBE LEFT AND CENTER FOR VERTICAL MOUNTING, MOTOR DOWN
 LUBE RIGHT AND CENTER FOR VERTICAL MOUNTING, MOTOR UP



VICTAULIC® DIMENSIONS STANDARD 1-1/4" CONNECTIONS		
ITEM	[INCHES]	MILLIMETERS
"A"	.625 ± 0.031	15.88 ± 0.78
"B"	.312 ± 0.031	7.94 ± 0.78
"C"	1.660 ± 0.016	42.16 ± 0.41
"G"	1.535 ⁺ _{-.015}	39.00 ⁺ _{-.38}

MODELS		"D"		"E"		"F"	
		INCHES	[MM]	INCHES	[MM]	INCHES	[MM]
60HZ	50HZ	44.80	1138	57.19	1453	42.00	1067
SS1838D	SS1838D	54.63	1388	67.02	1702	52.00	1321
	SS1856D	62.63	1591	75.02	1906	52.00	1321
	SS2828D	49.30	1252	61.69	1567	65.00	1651
	SS2834D	58.29	1481	70.68	1795	56.00	1422
	SS2846D	76.25	1937	88.64	2251	74.00	1880

NOTES:

- DIMENSIONS ARE IN INCHES [MILLIMETERS].
- PUMP INLET AND DISCHARGE CONNECTIONS MATE WITH 1.25-INCH VICTAULIC TYPE CLAMPED UNIONS. PUMP INLET MAY BE ROTATED IN 90° INCREMENTS.
- PUMP AND MOTOR ADAPTER WILL ACCEPT NEMA 182TC, 184TC, 213TC, 215TC AND 254TC FRAME 3450 RPM ELECTRIC MOTORS AND A WOODS FLEXIBLE COUPLING. FOR 182TC AND 184TC FRAME MOTORS THE WOODS #6J FLANGE IS TO EXTEND 3/16" -1/4" BEYOND END OF PUMP DRIVE SHAFT. FOR 213TC, 215TC AND 254TC FRAME MOTORS THE WOODS FLANGE IS TO BE FLUSH WITH THE END OF THE PUMP DRIVE SHAFT
- SEE PUMP INSTRUCTIONS P/N 1114838 FOR ADDITIONAL INFORMATION ON INSTALLATION, STARTUP, AND MAINTENANCE.

REV	DESCRIPTION	ECO	DWN	APPR	DATE	
H	SUEZ REBRANDING	131562	TG	SR	MS	20 Sep 18
G	REDRAWN ON ACAD	3334	PFM	BJW		16 Feb 98
F	9.38 WAS 9.50	1455	RLH	WRM		04May94
E	REVISED PER ECO	1659	RLH	WRM		30Oct93



CUSTOMER INFORMATION

DWG, TF, OUTLINE
 SS1800/2800 "D" SERIES PUMP

DRAWING NUMBER		REVISION
1120821		H
PROJECT NO.	PART/MATERIAL NO.	SCALE
		3/16" = 1"
		SIZE
		C
		SHEET
		1 OF 1